

# CaDA

Ages

# 6+

## C51021

# 629 pcs

### WORLD WAR II MILITARY MOTORCYCLE

# deTECH

# POWER SYSTEM

INCLUDES:



Motor X1



Steering Motor X1



Battery Box X1



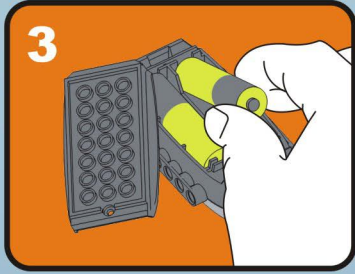
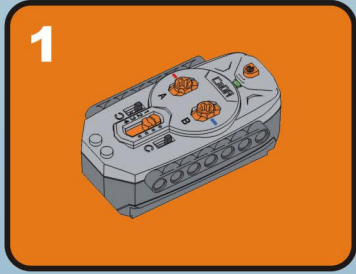
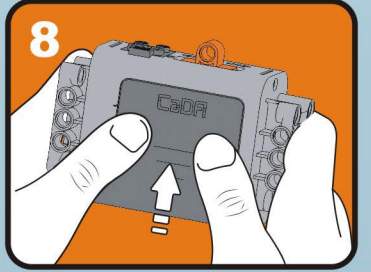
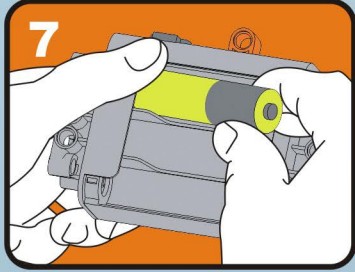
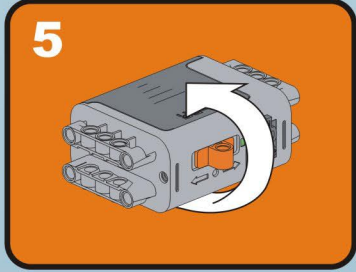
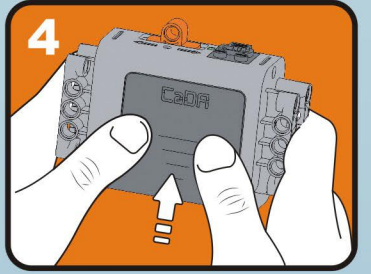
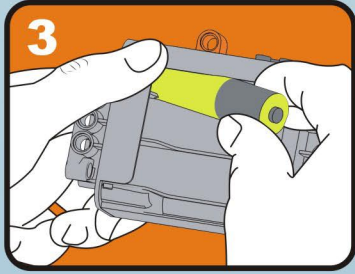
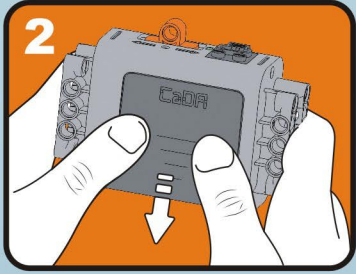
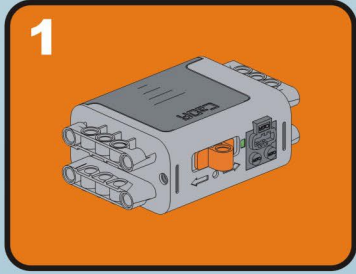
Signal Receiver X1

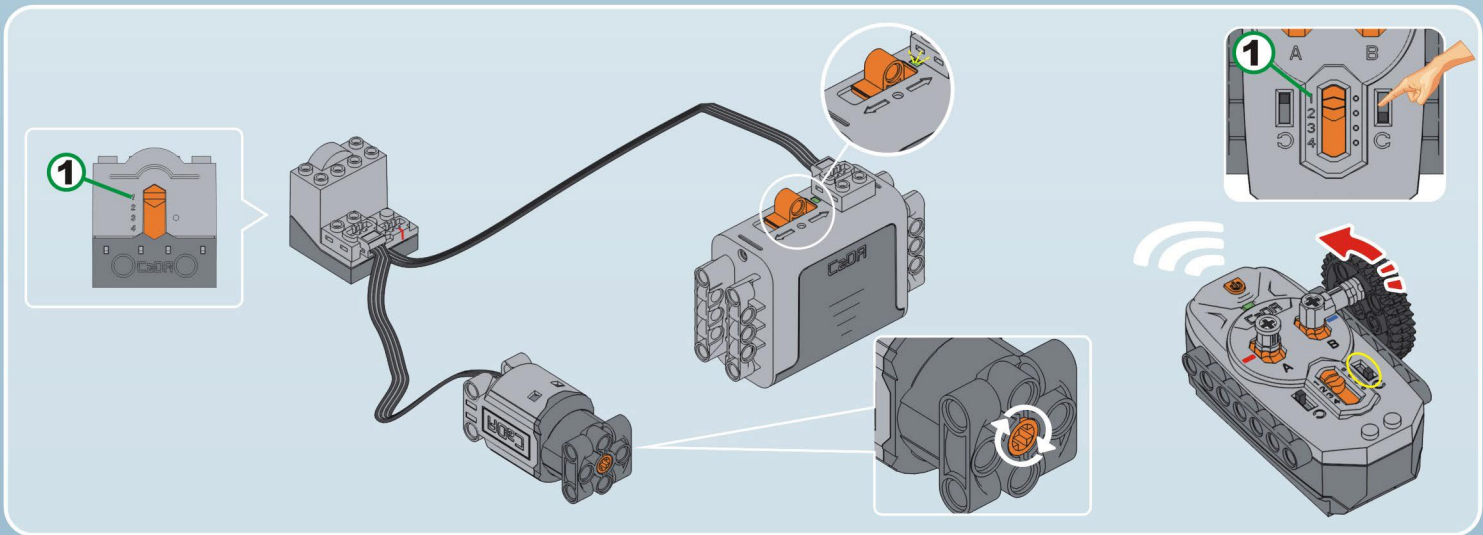
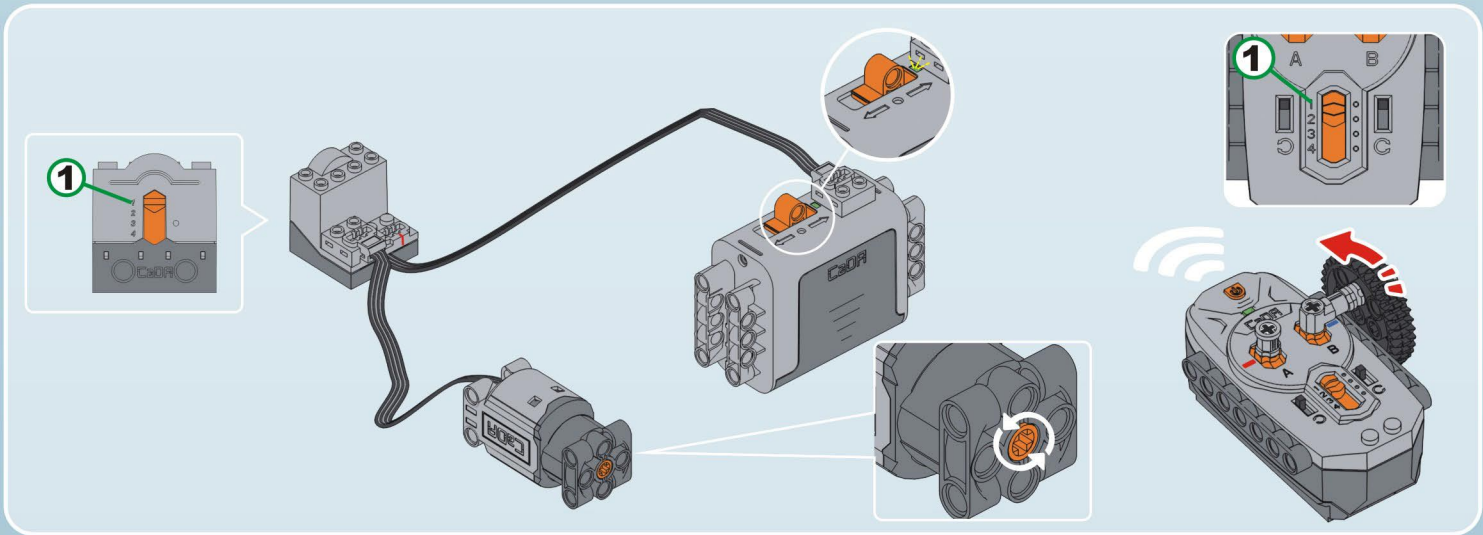


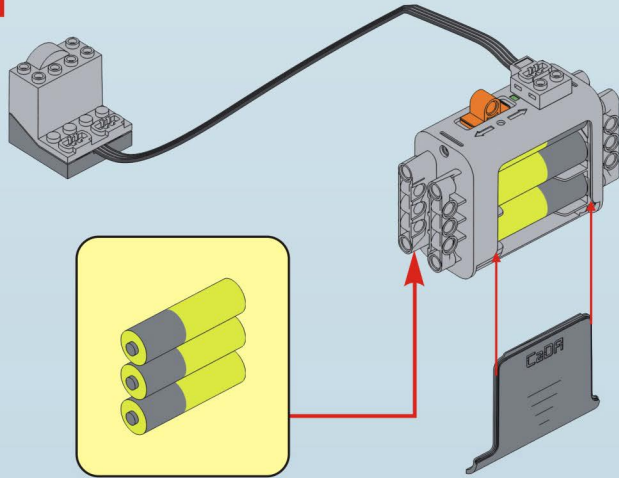
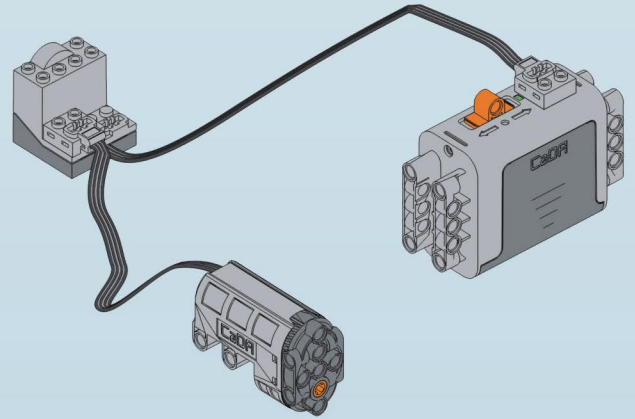
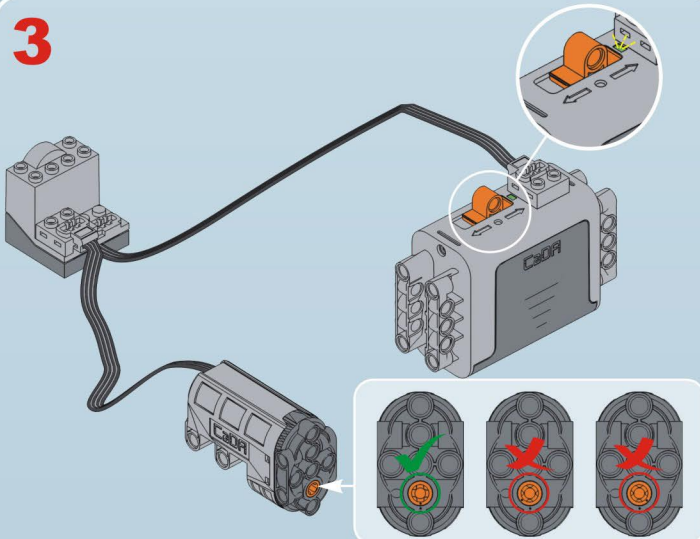
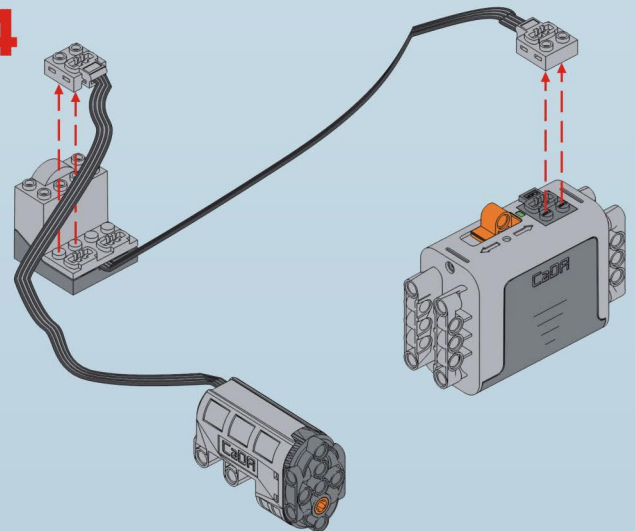
DOUBLE E

**RC**  
RADIO CONTROL  
2.4G

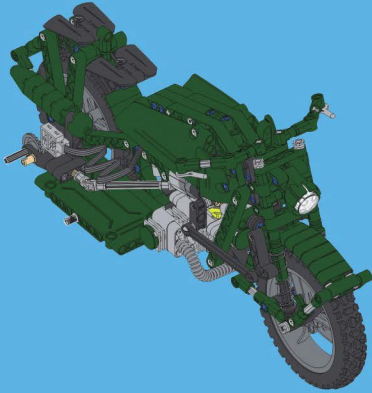






**1****2****3****4**

# A



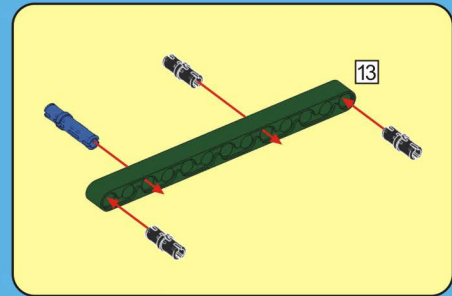
x3

x1

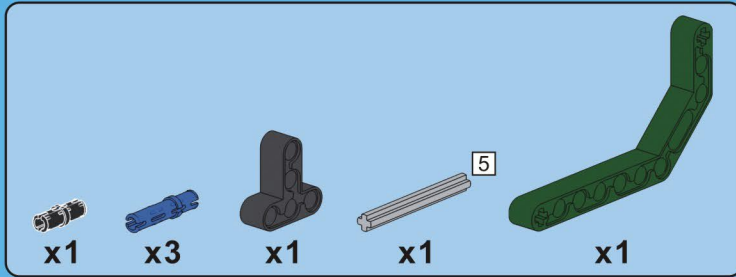
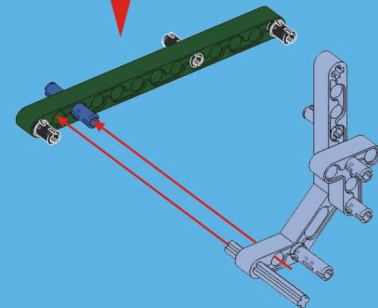
x1

13

# A2



13



x1

x3

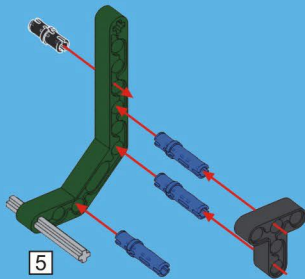
x1

x1

x1

5

# A1



5

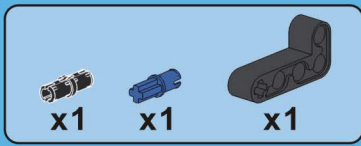


5

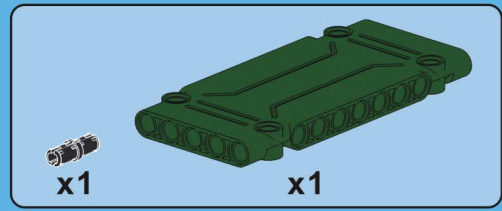
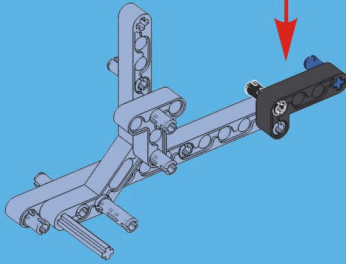
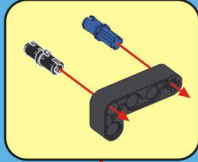


13

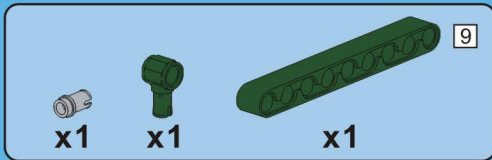
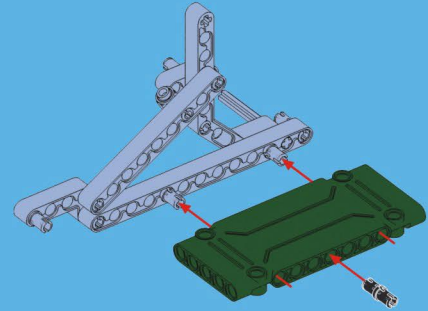
# 1:1



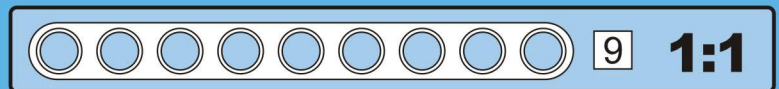
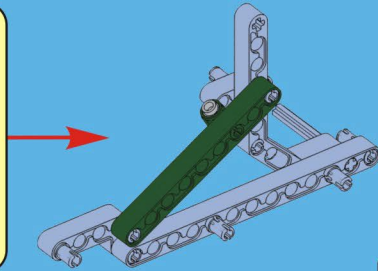
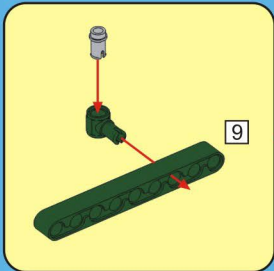
**A3**

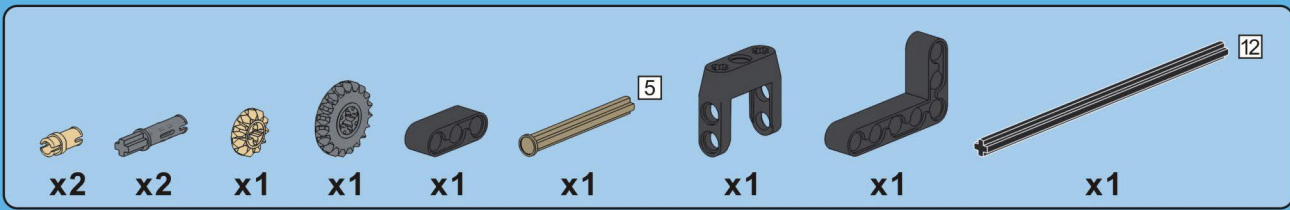


**A5**

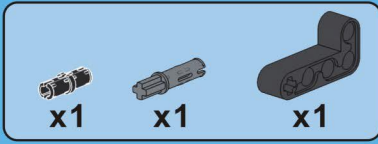
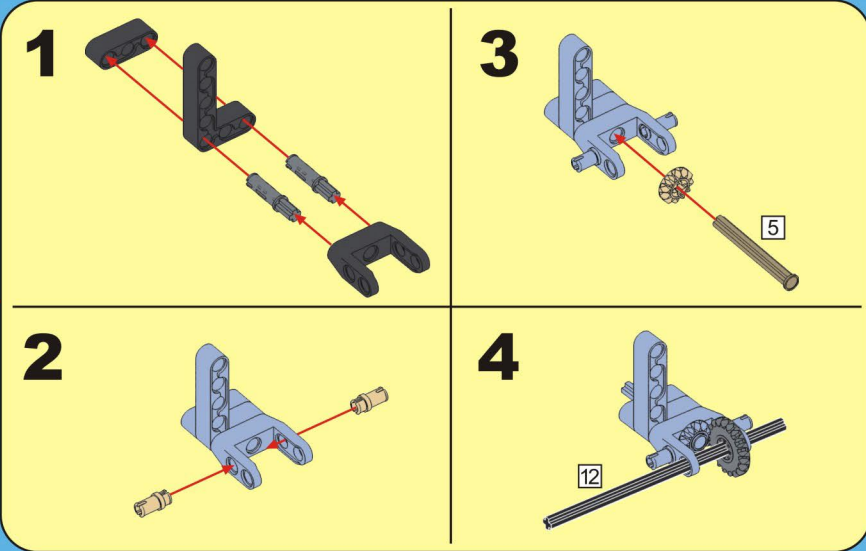
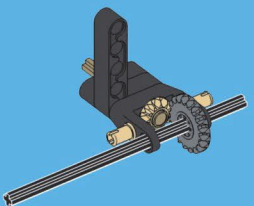


**A4**

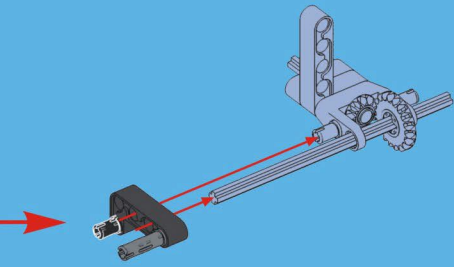
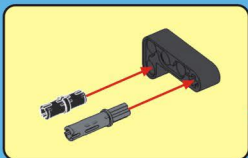


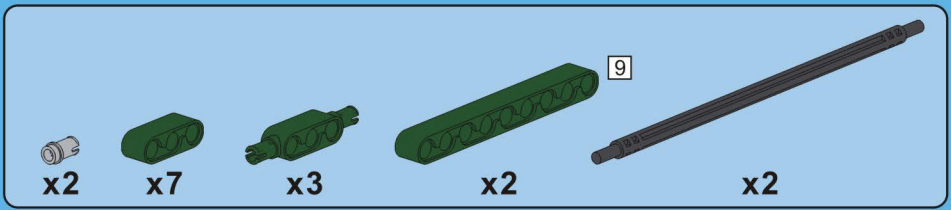


# A6

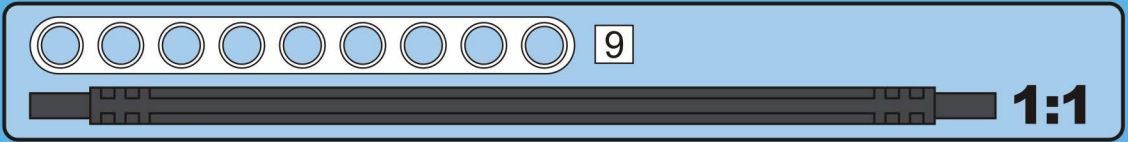
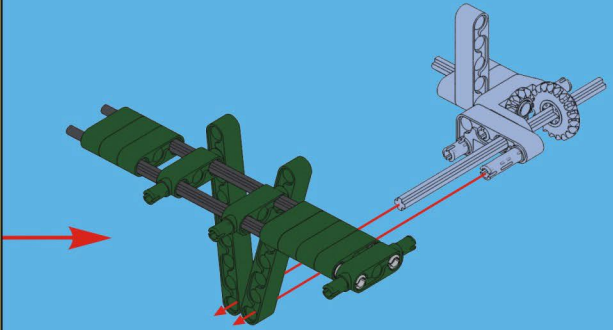
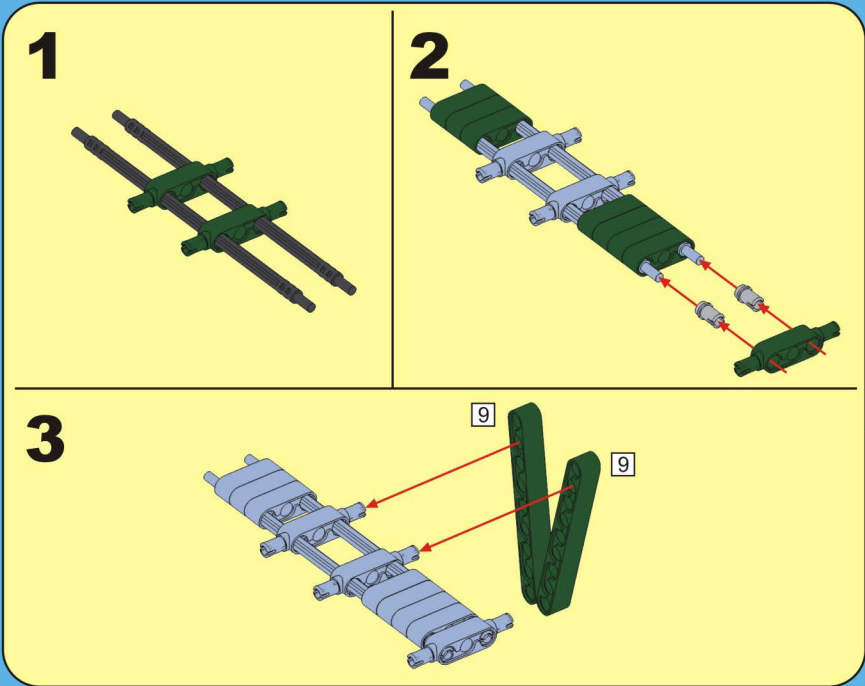


# A7



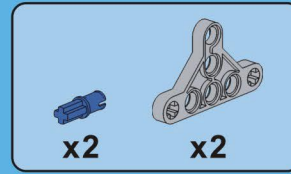
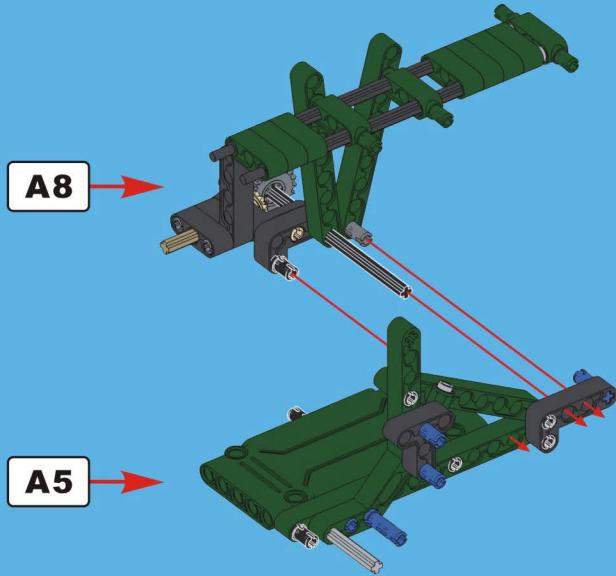


# A8

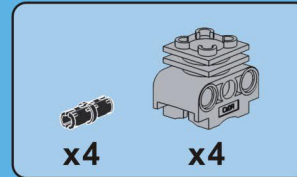
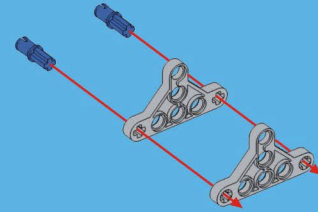




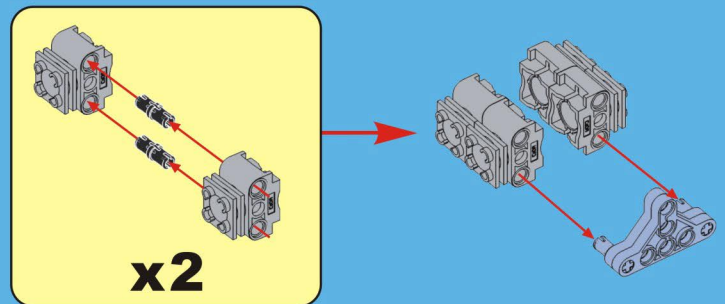
# A9



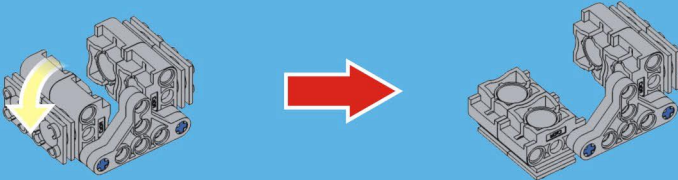
# A10


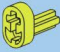




# A11

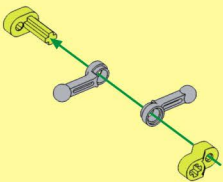
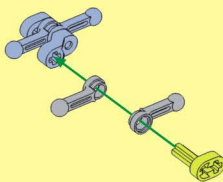
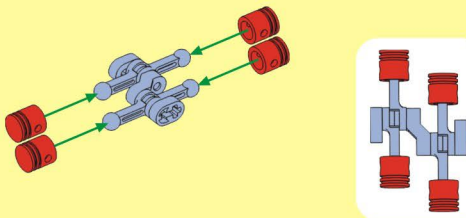


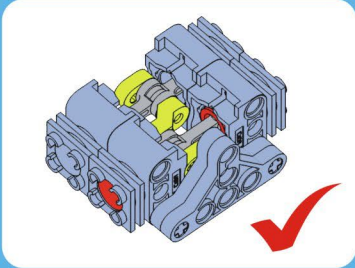
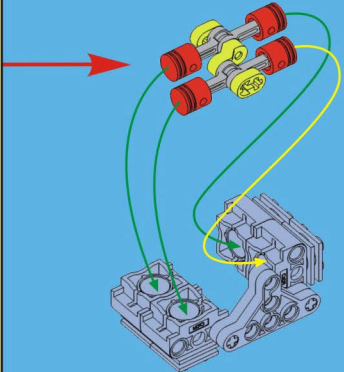
# A12

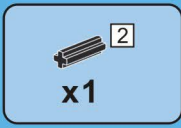


			
x4	x2	x4	x1

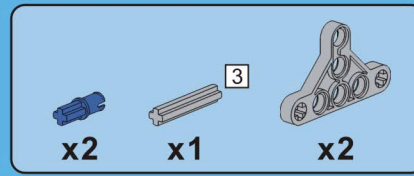
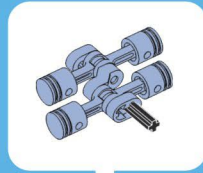
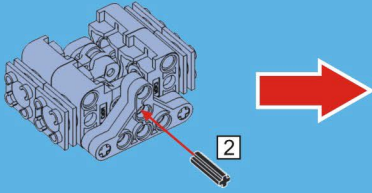
# A13

<b>1</b> 	<b>2</b> 
<b>3</b> 	

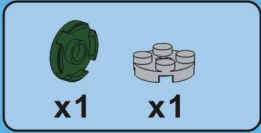
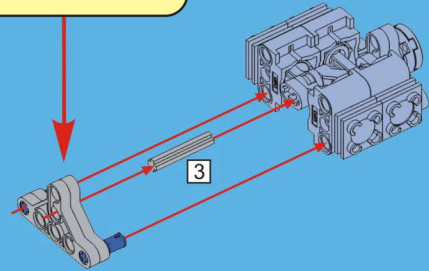
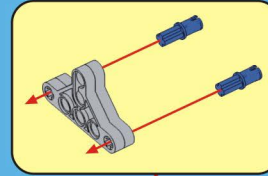




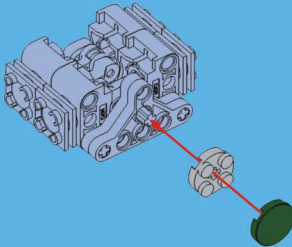
# A14



# A16

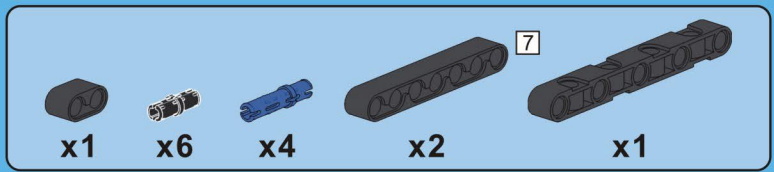
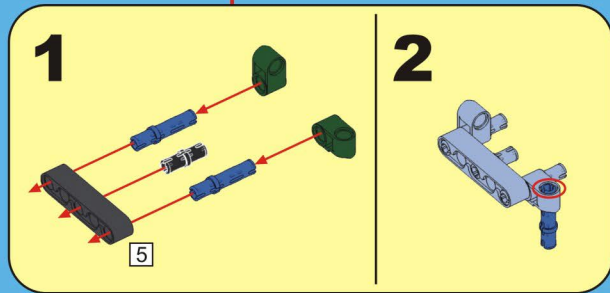
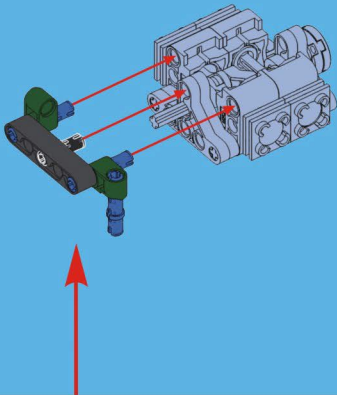


# A15

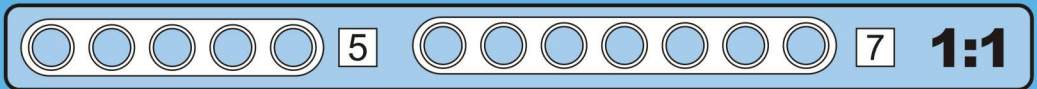
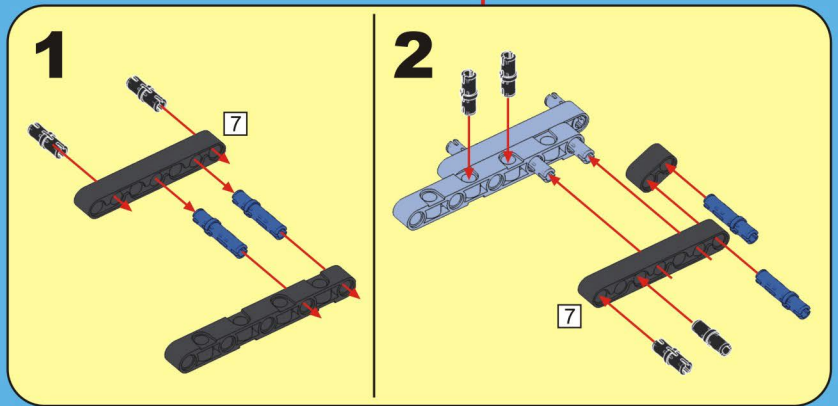
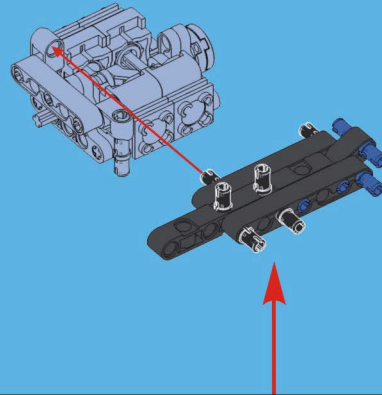




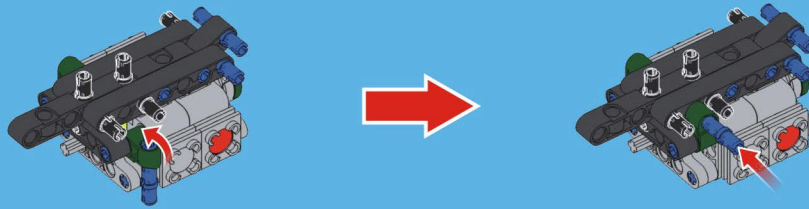
# A17



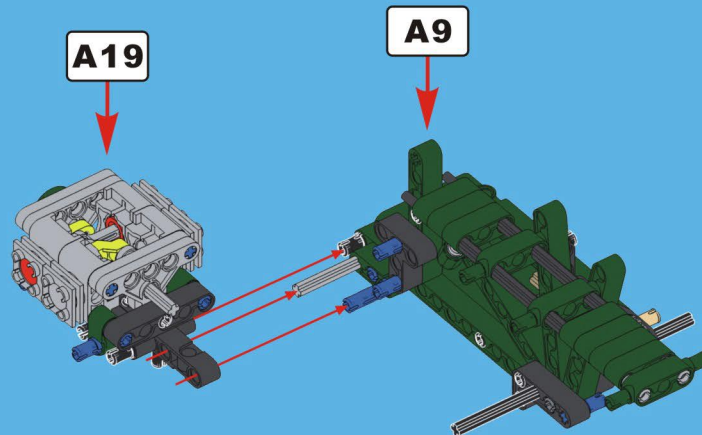
# A18

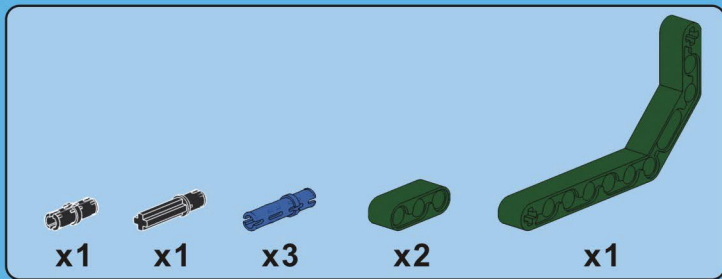


# A19

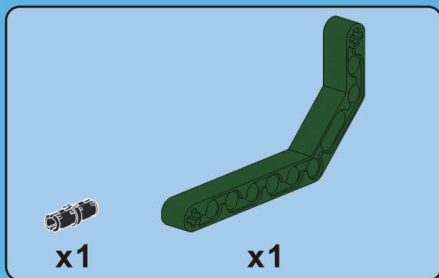
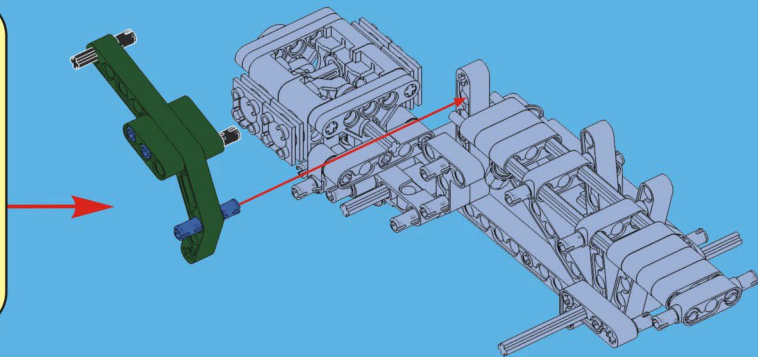
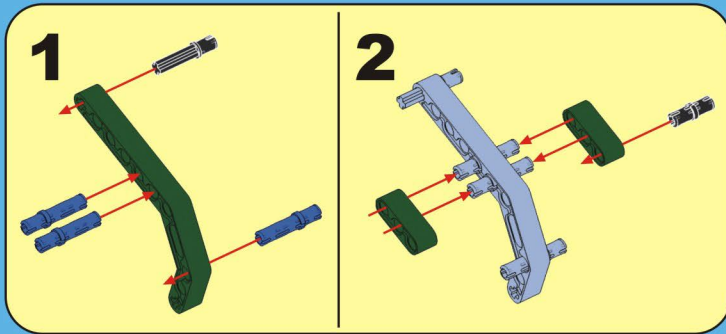


# A20

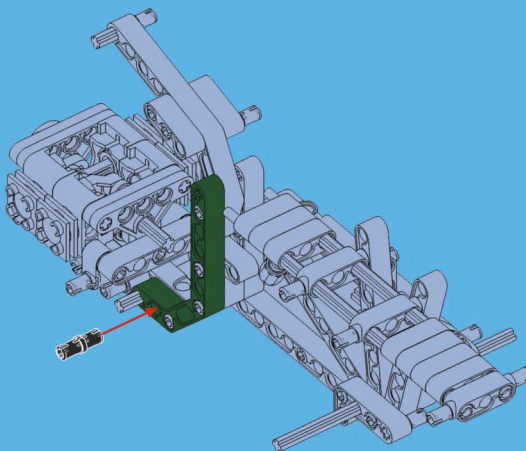




## A21

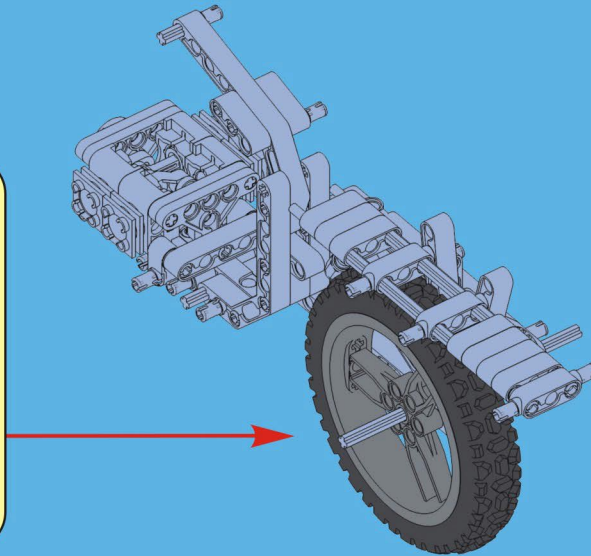


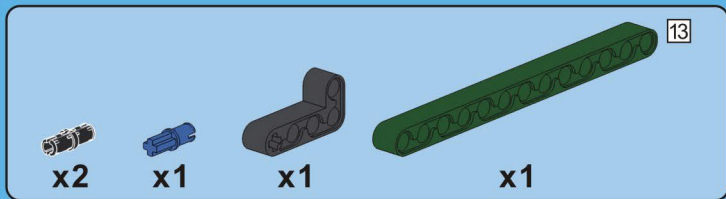
## A22



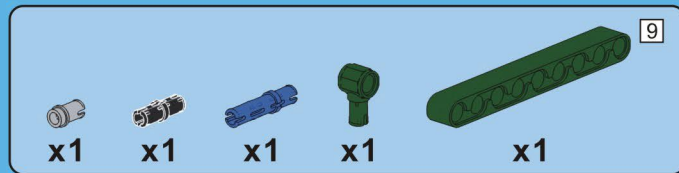
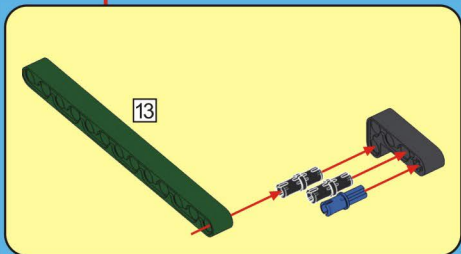
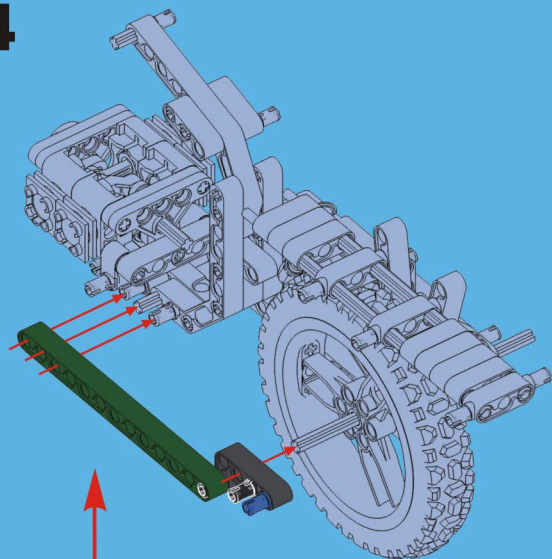


# A23

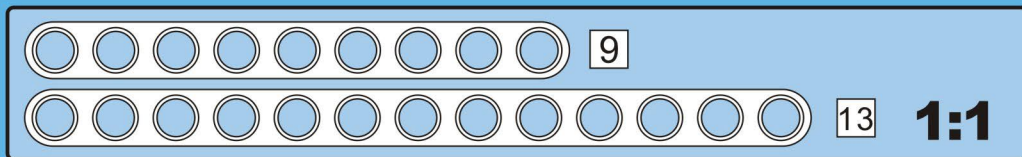
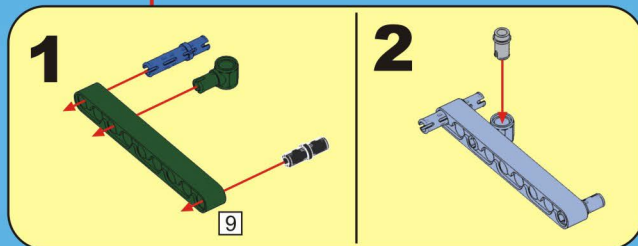
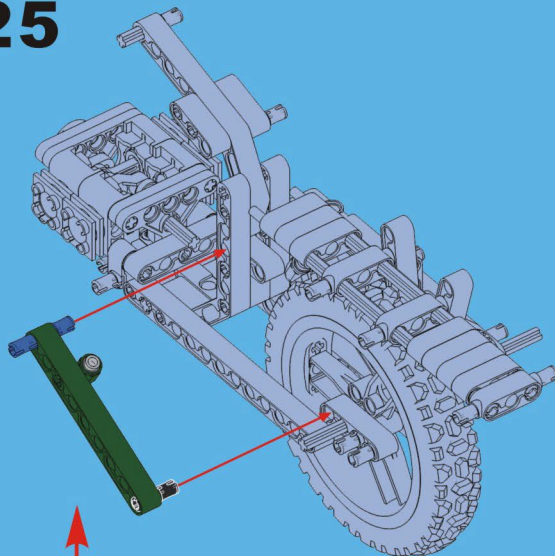




**A24**

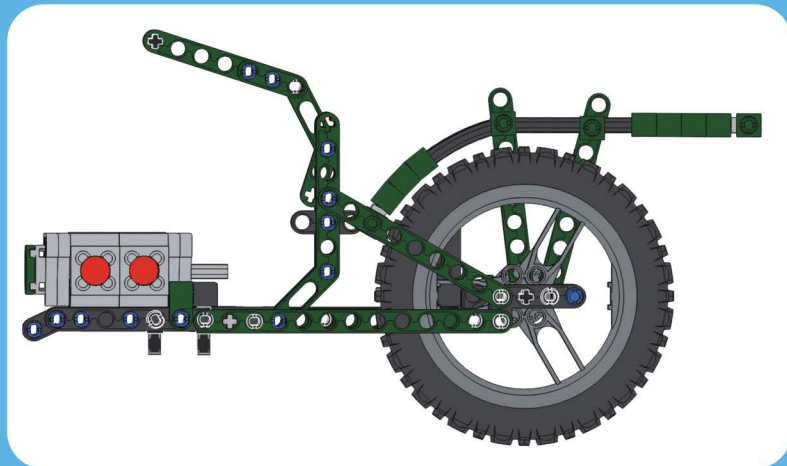
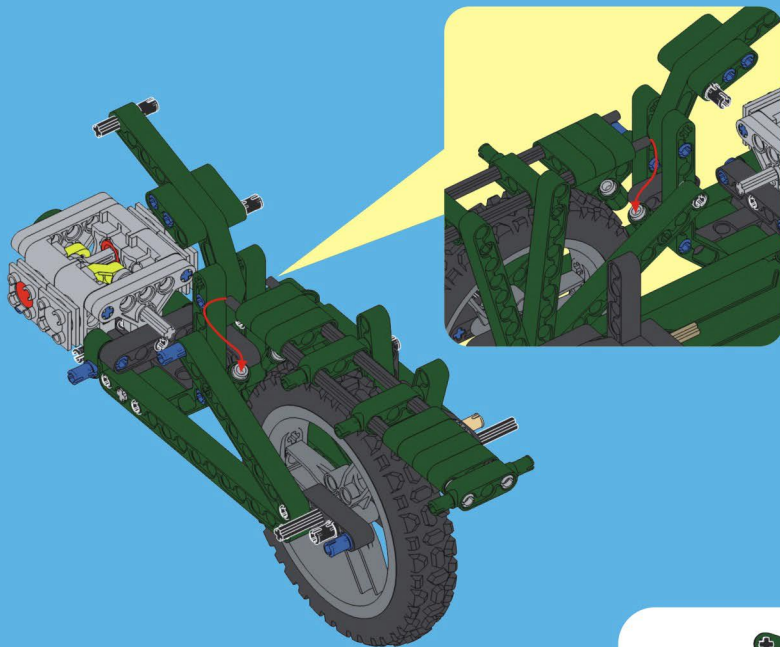


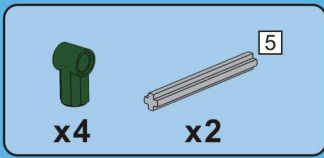
**A25**



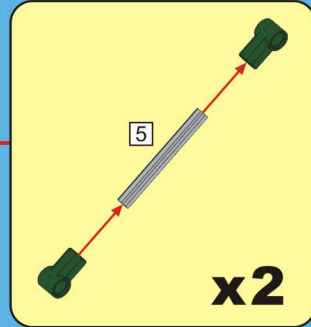
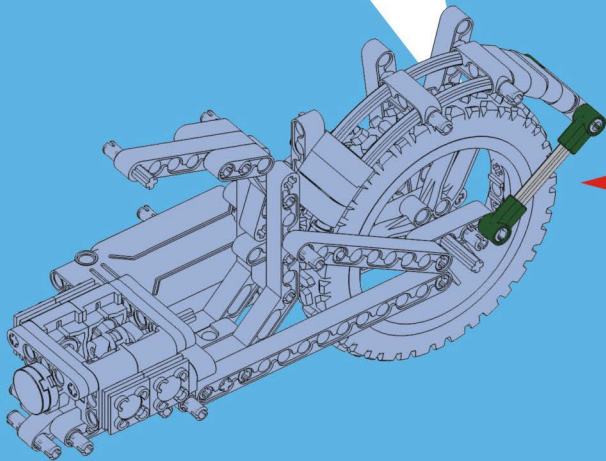
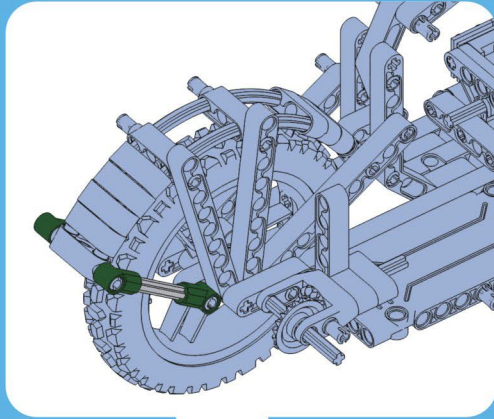


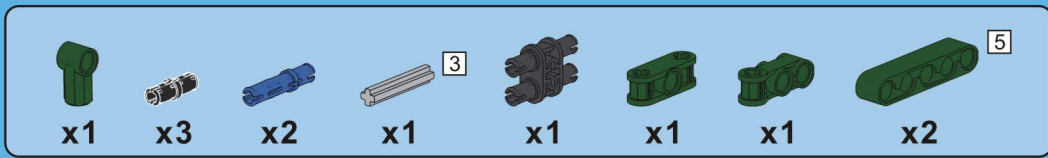
# A26



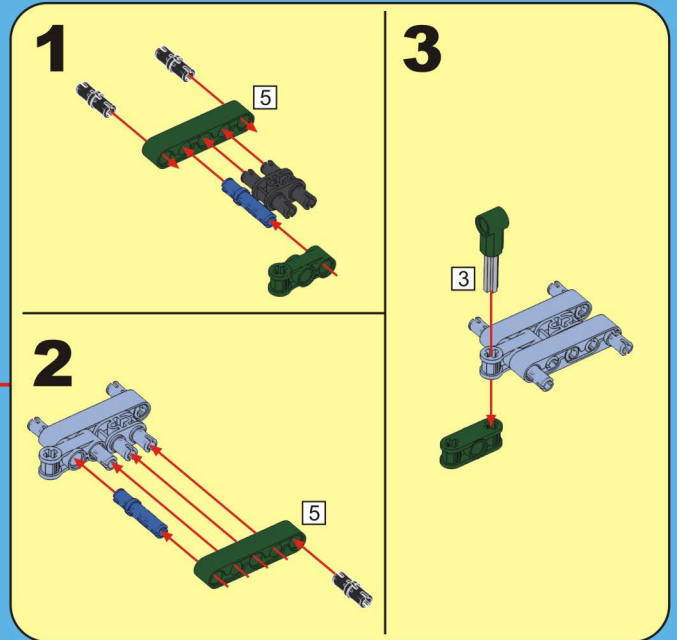
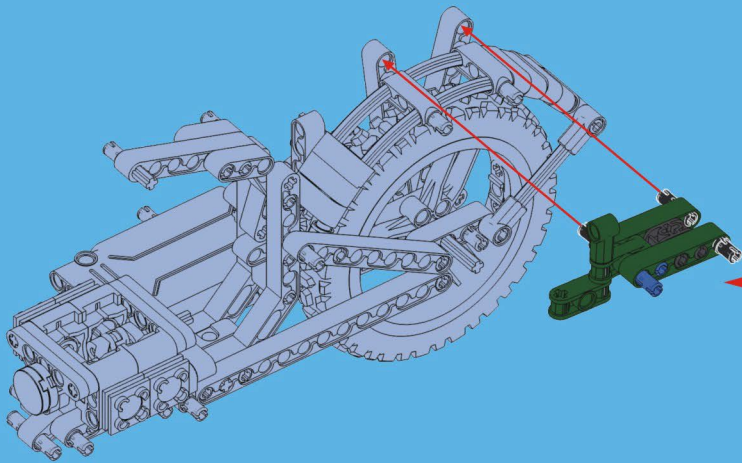


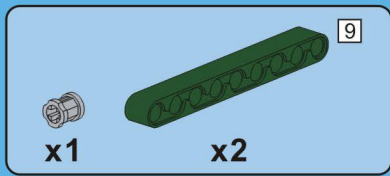
# A27



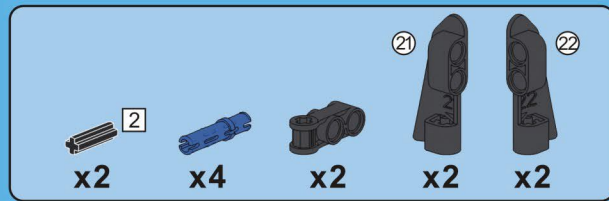
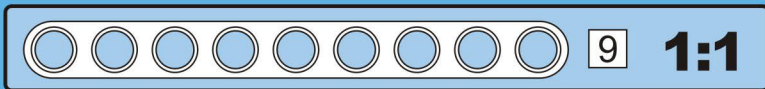
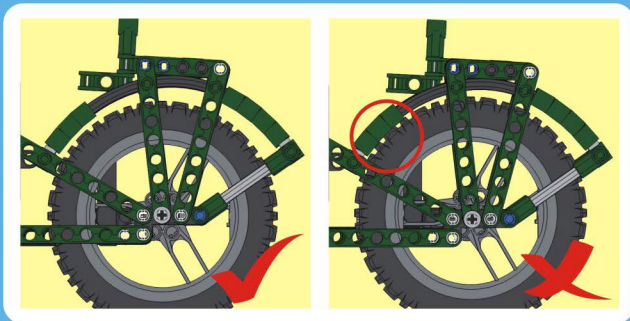
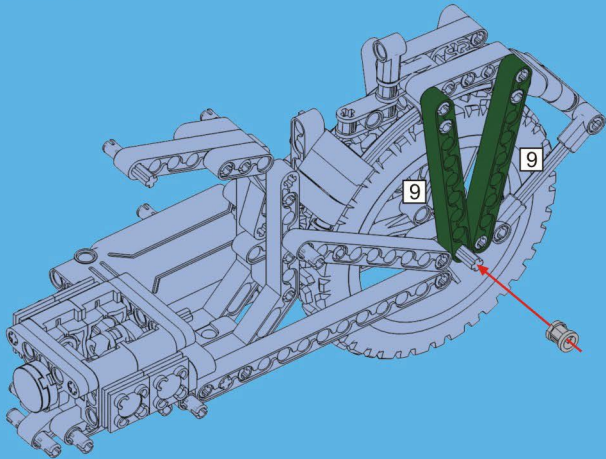


# A28

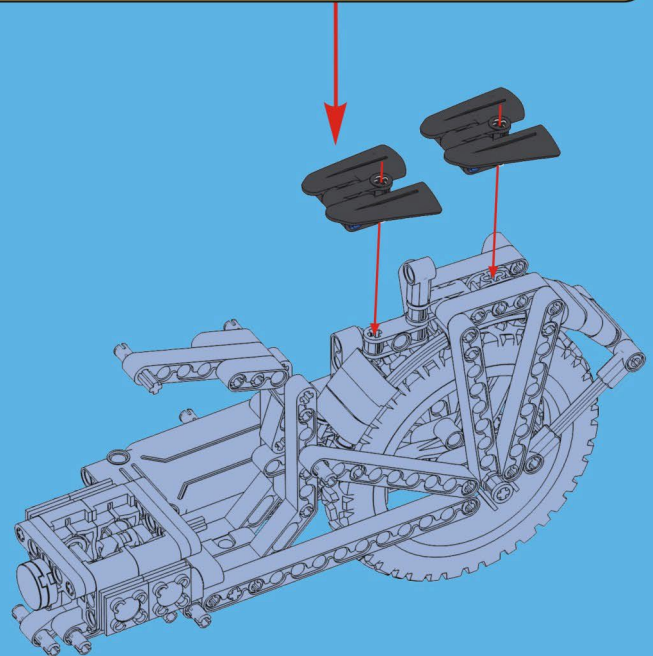
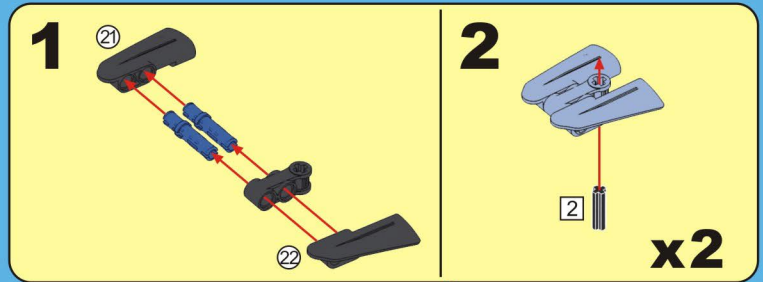


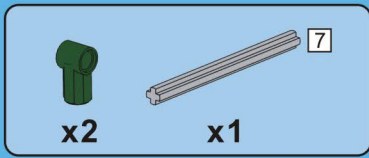


# A29

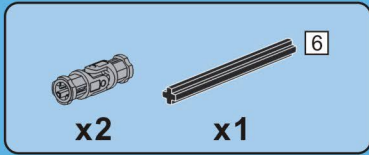
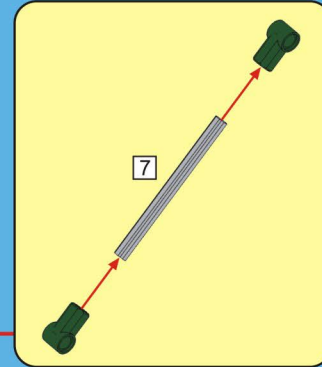
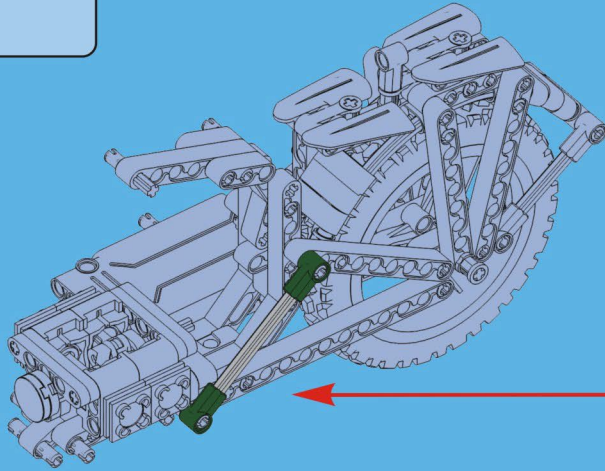


# A30

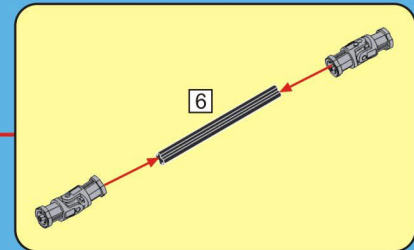
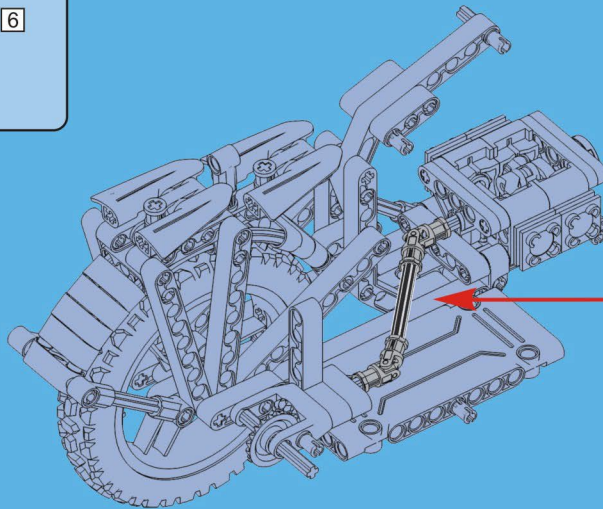


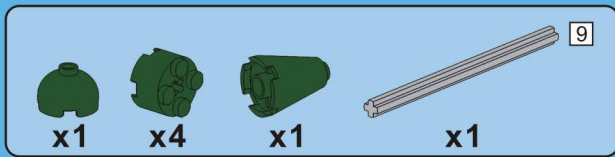


# A31

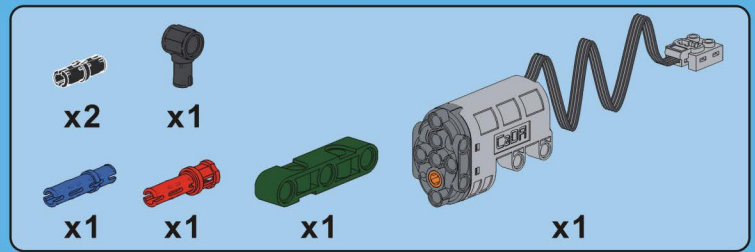
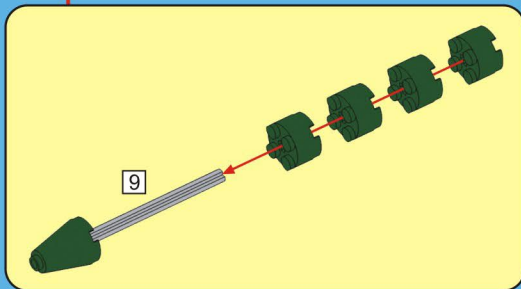
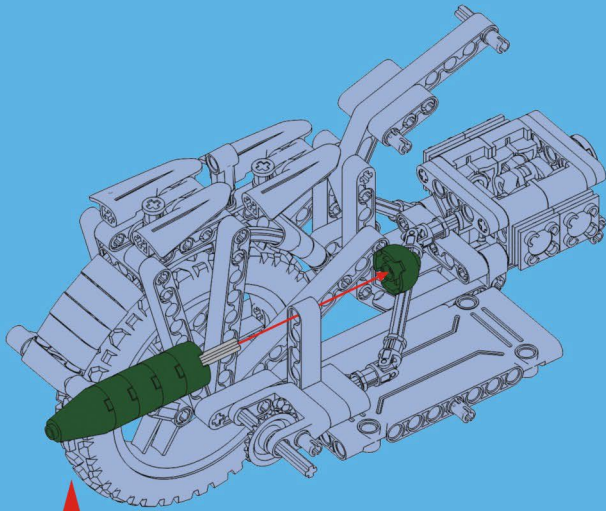


# A32

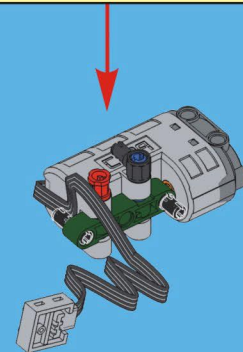
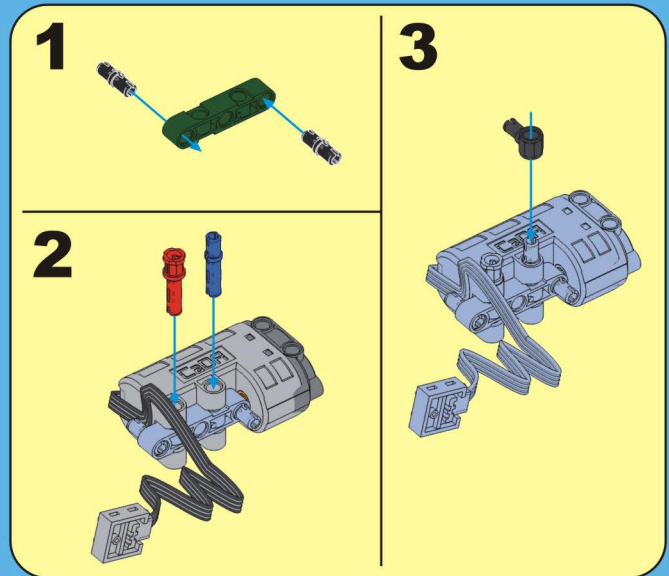


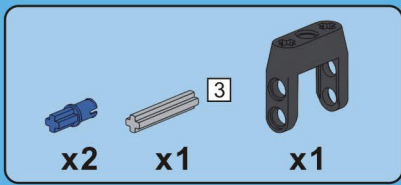


# A33

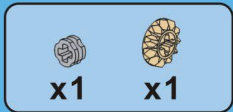
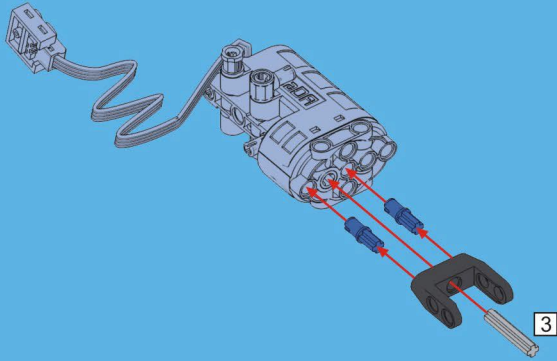


# A34

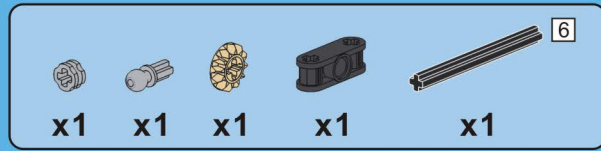
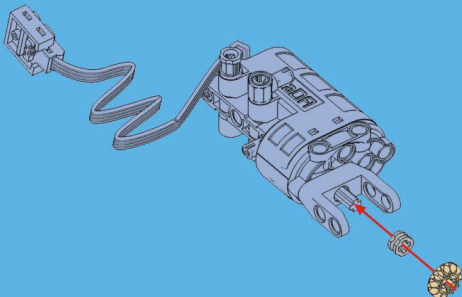




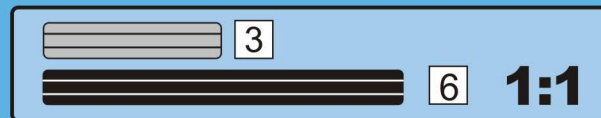
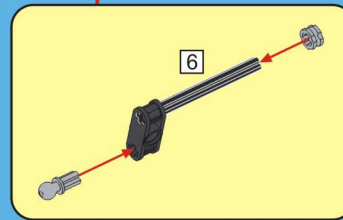
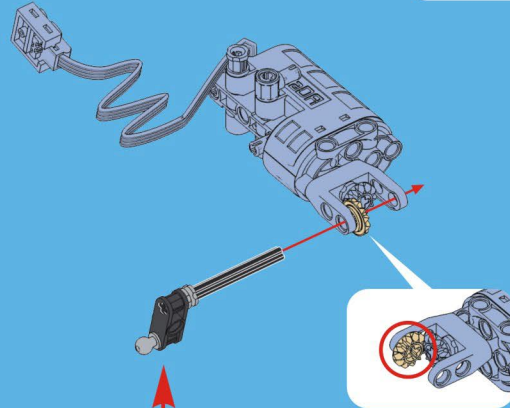
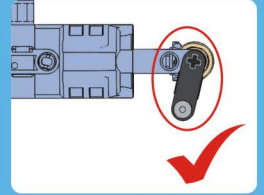
**A35**



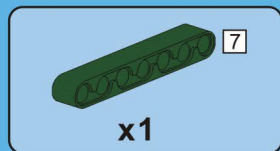
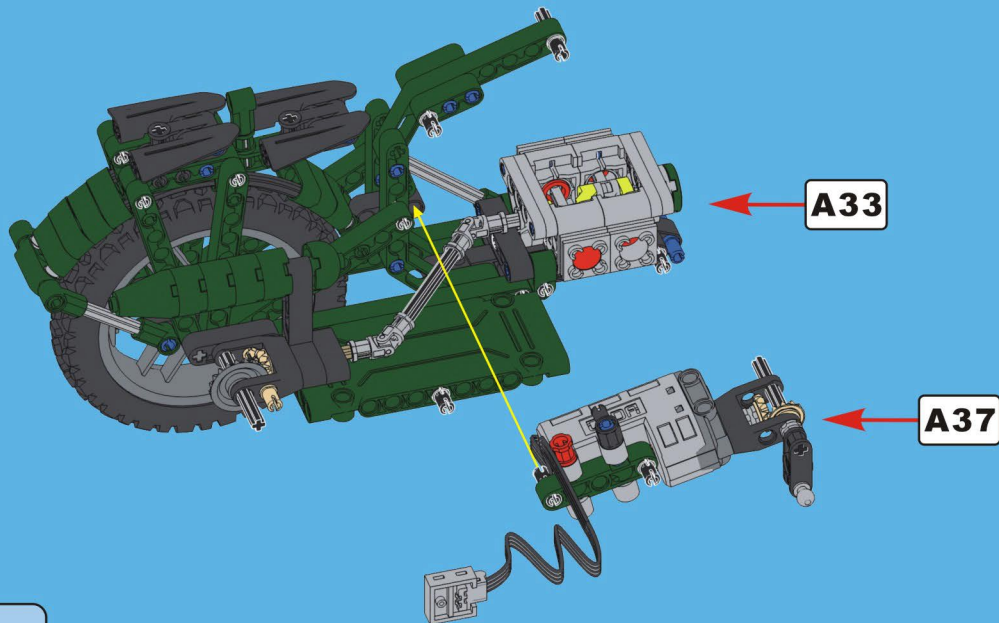
**A36**



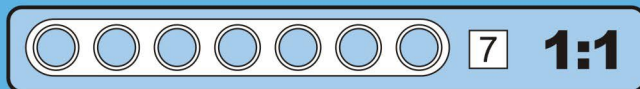
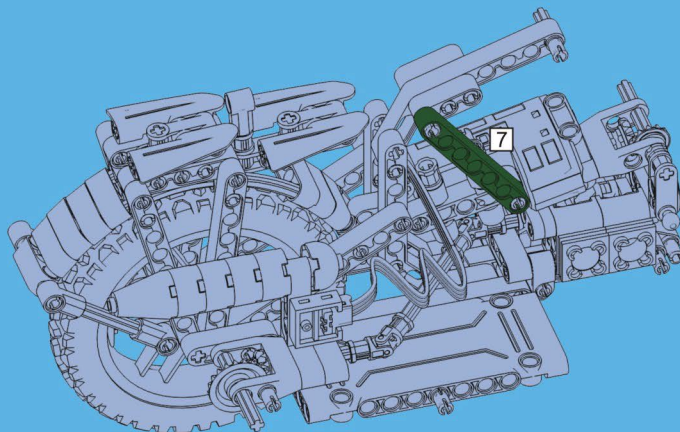
**A37**



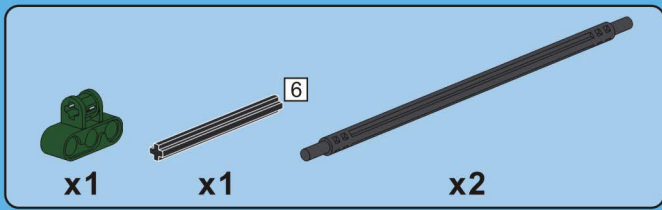
# A38



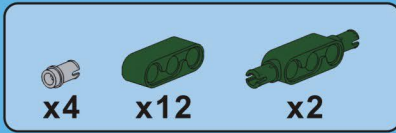
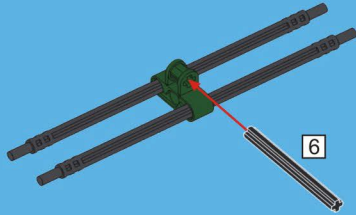
# A39



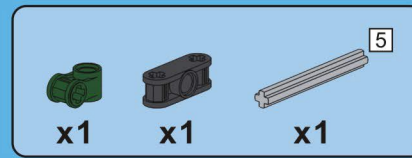
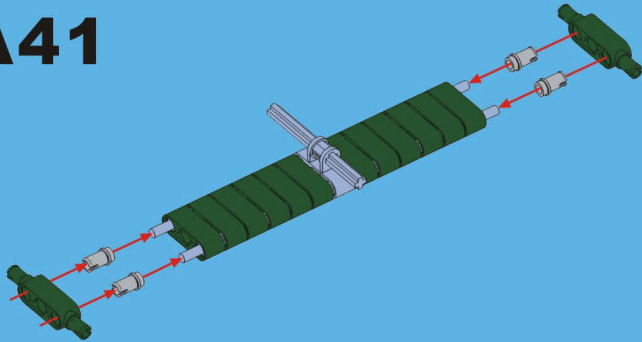




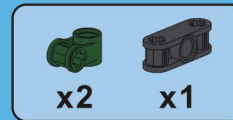
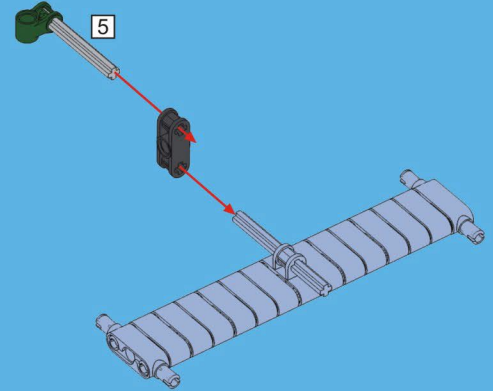
# A40



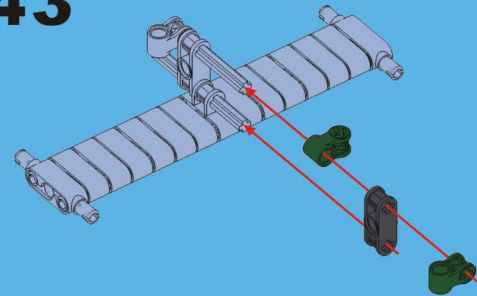
# A41

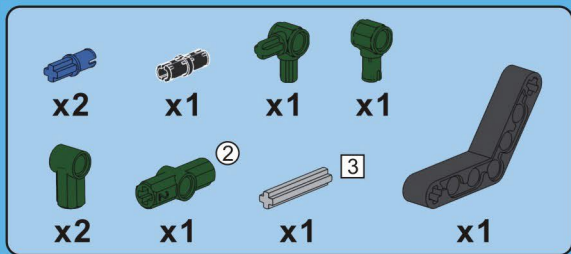


# A42

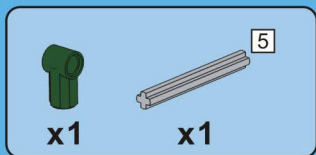
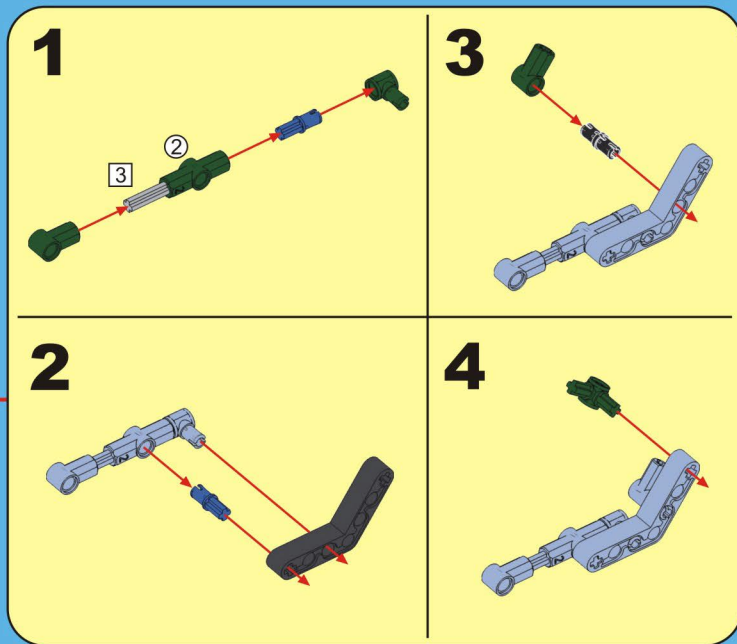
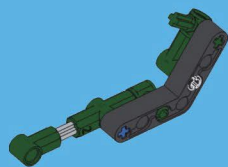


# A43

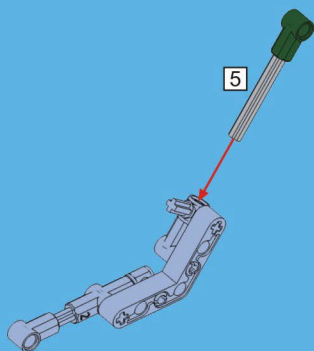




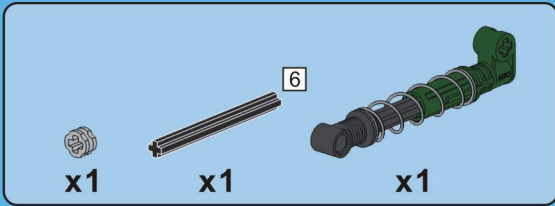
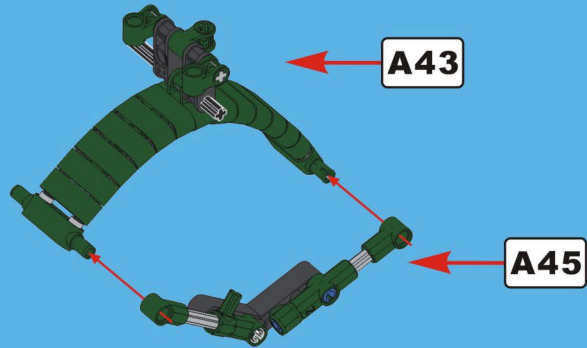
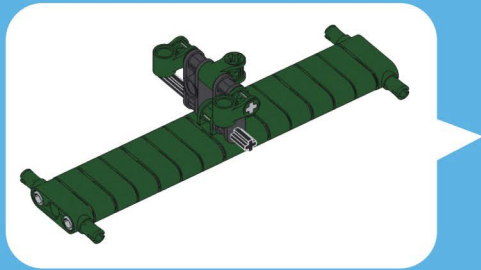
# A44



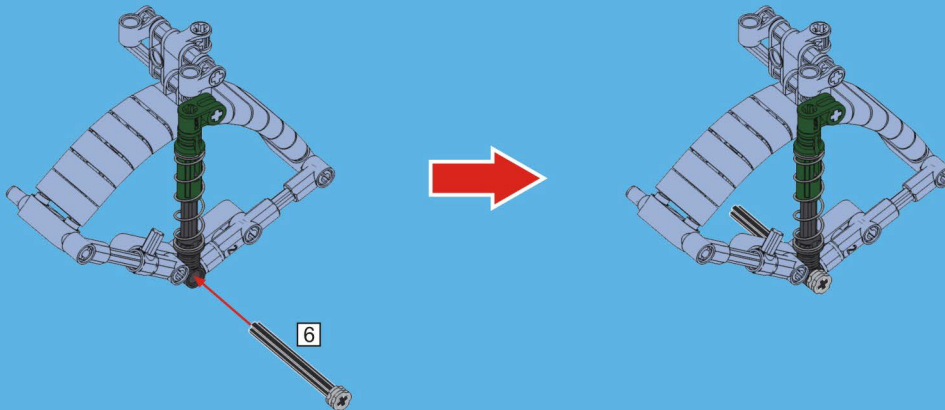
# A45

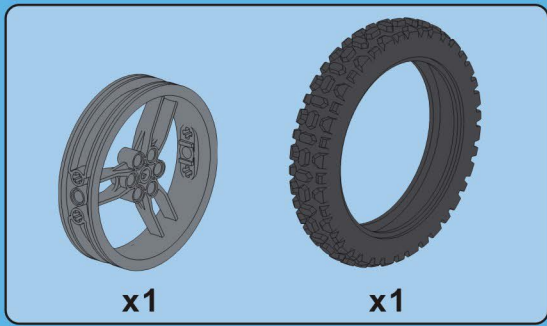


# A46

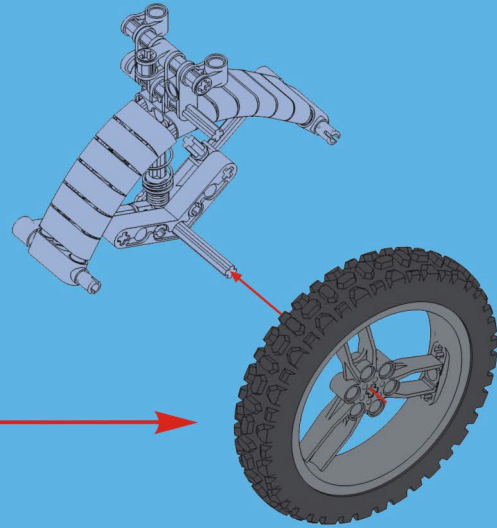


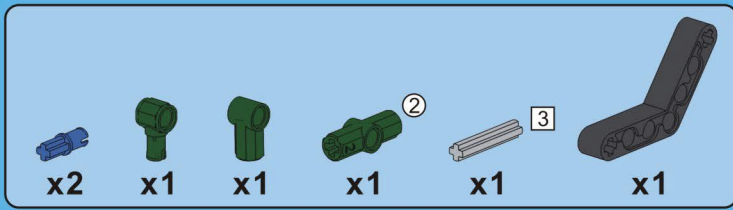
# A47



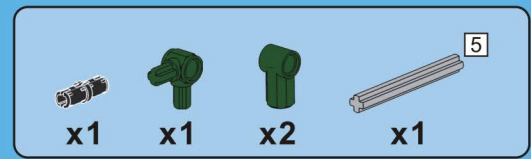
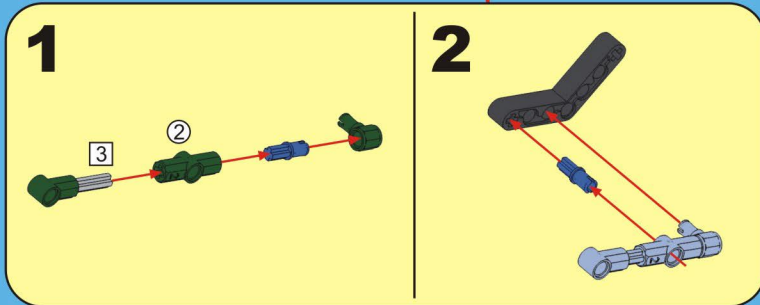
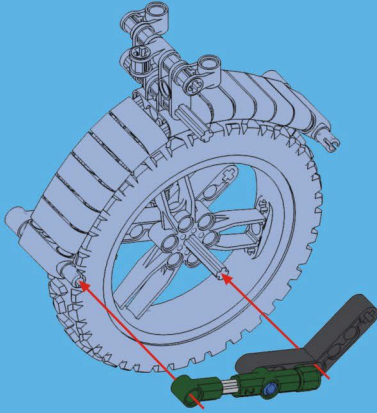


# A48

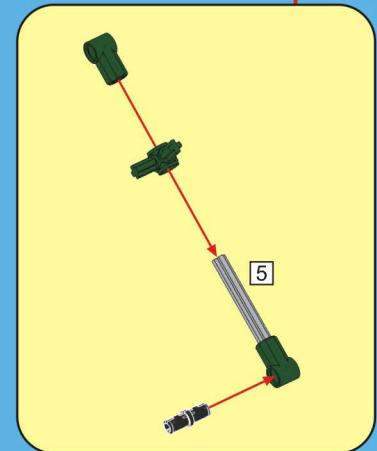
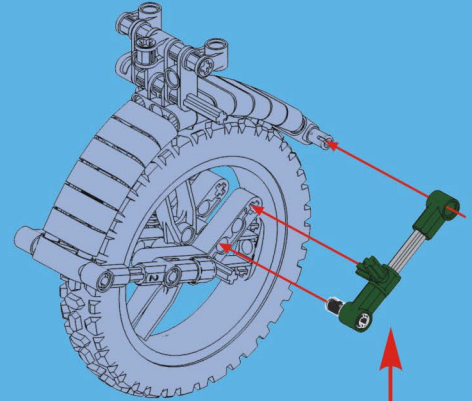


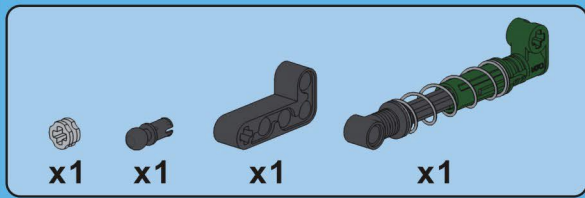


# A49

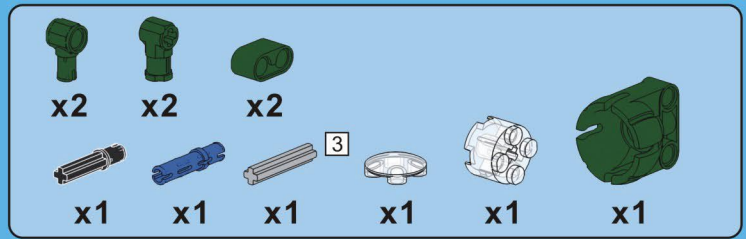
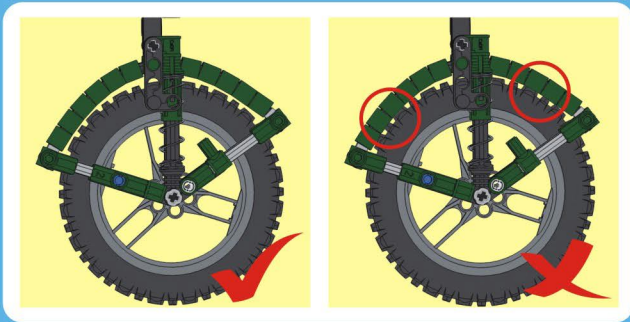
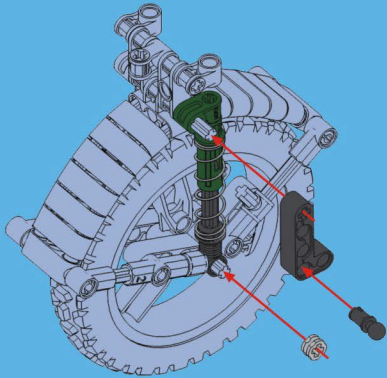


# A50

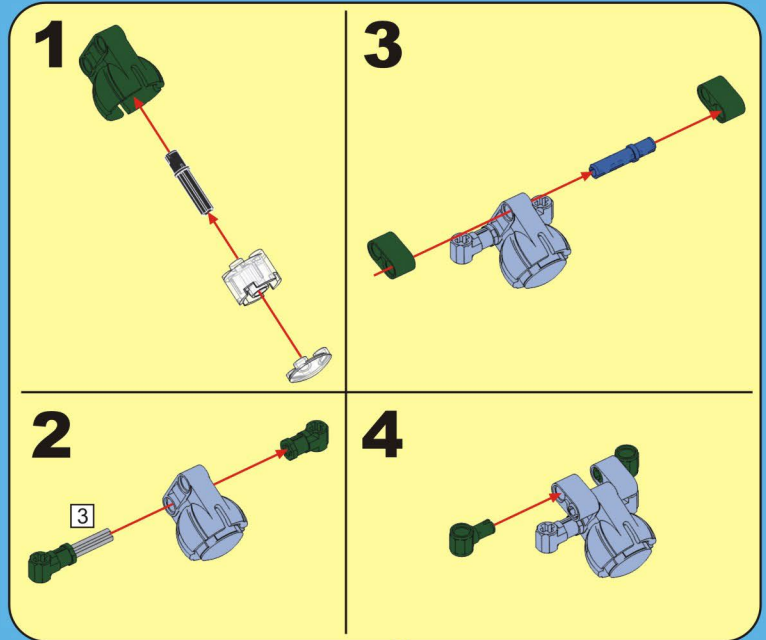


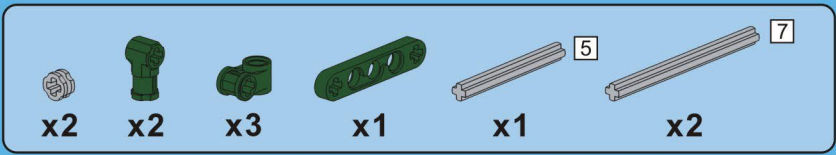


# A51

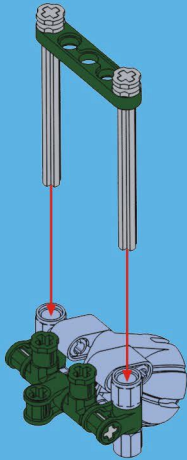
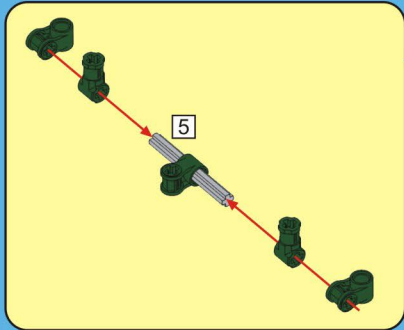
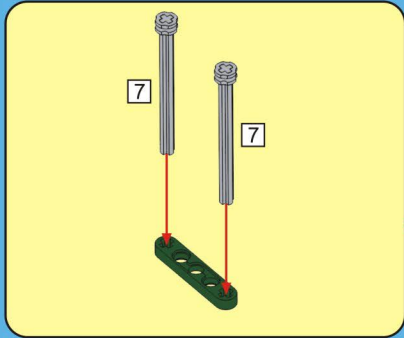
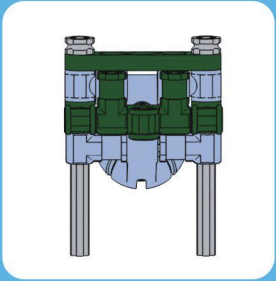


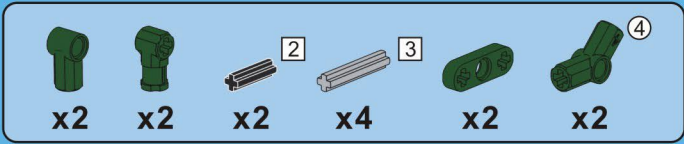
# A52



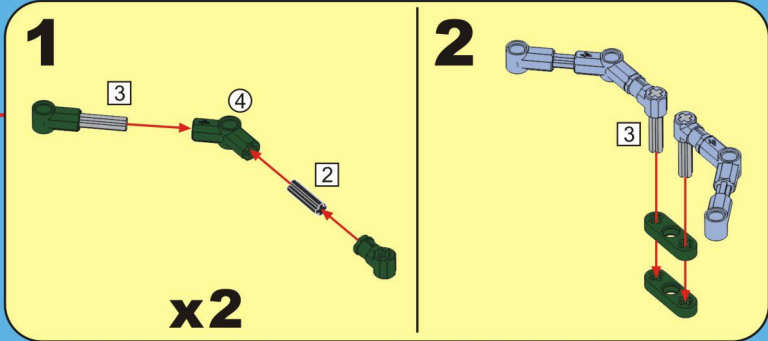
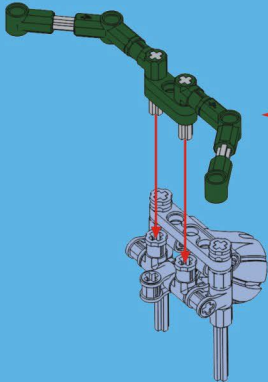


# A53



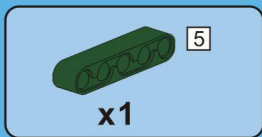
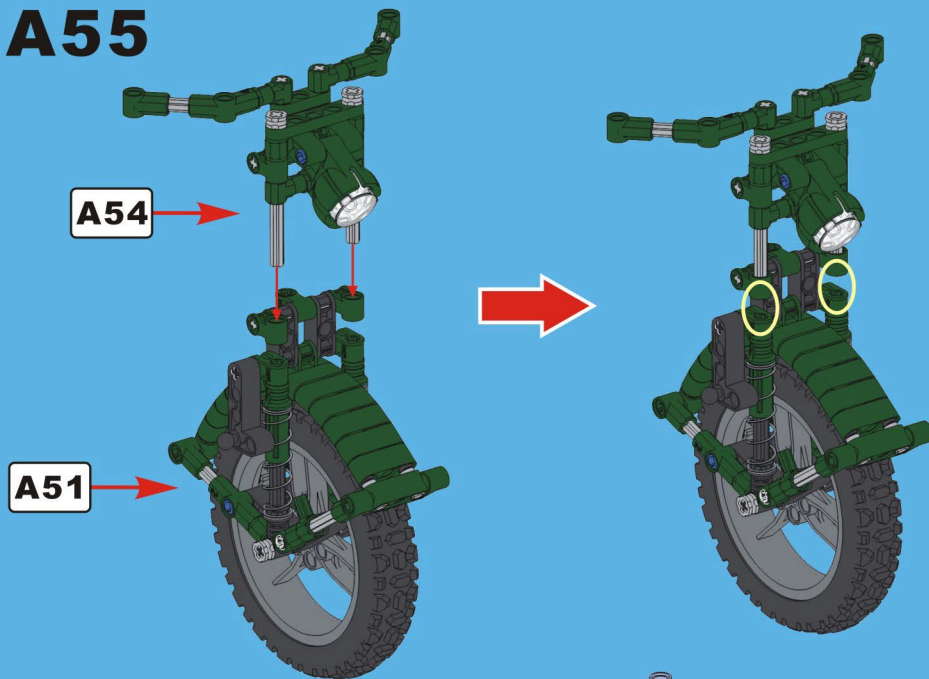


# A54

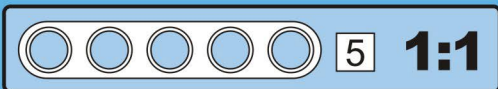
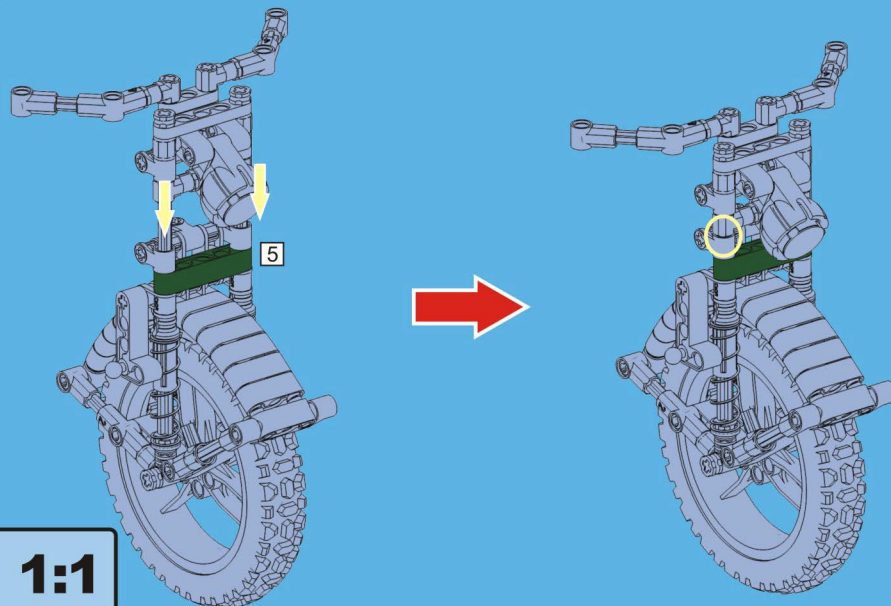


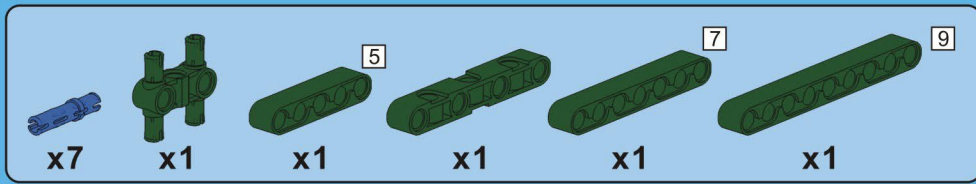


# A55

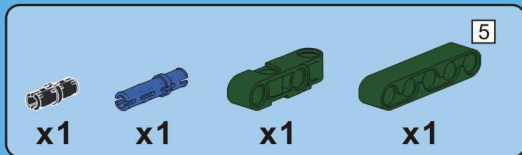
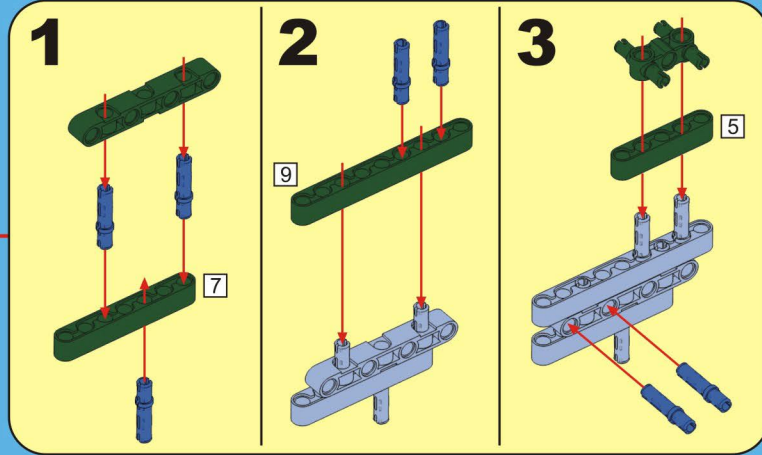
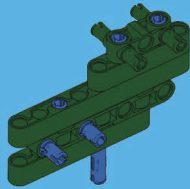


# A56

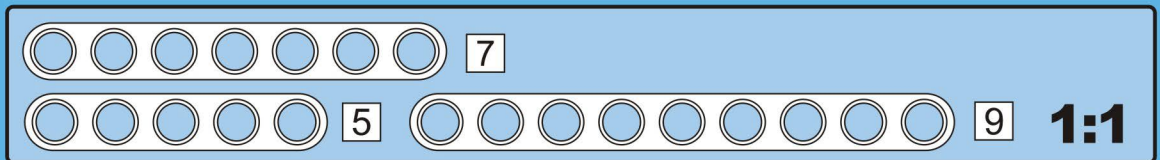
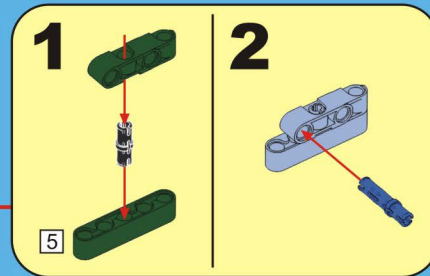
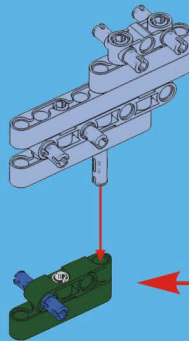


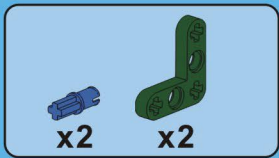


# A57

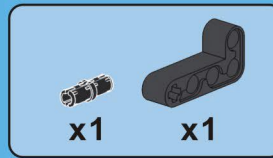
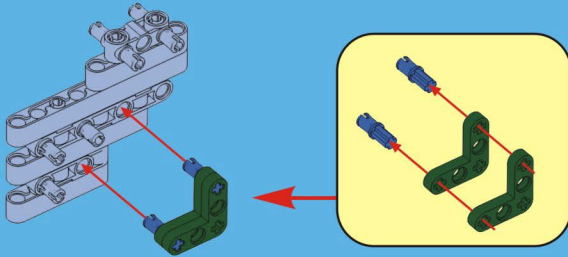


# A58

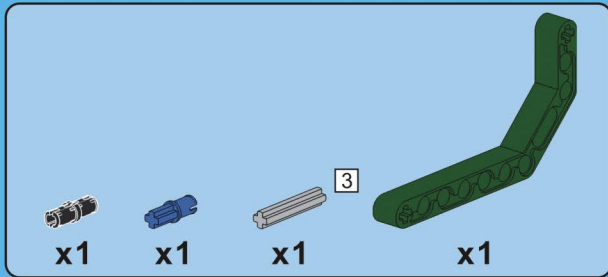
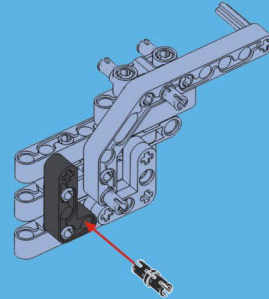




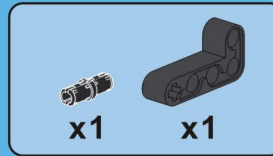
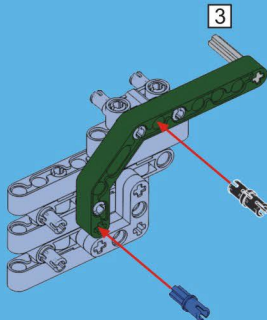
## A59



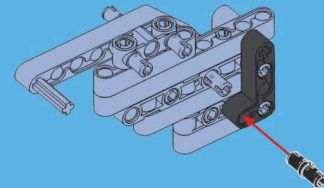
## A61

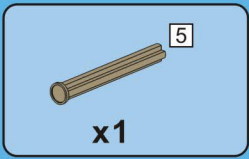


## A60

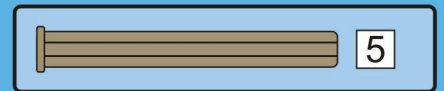
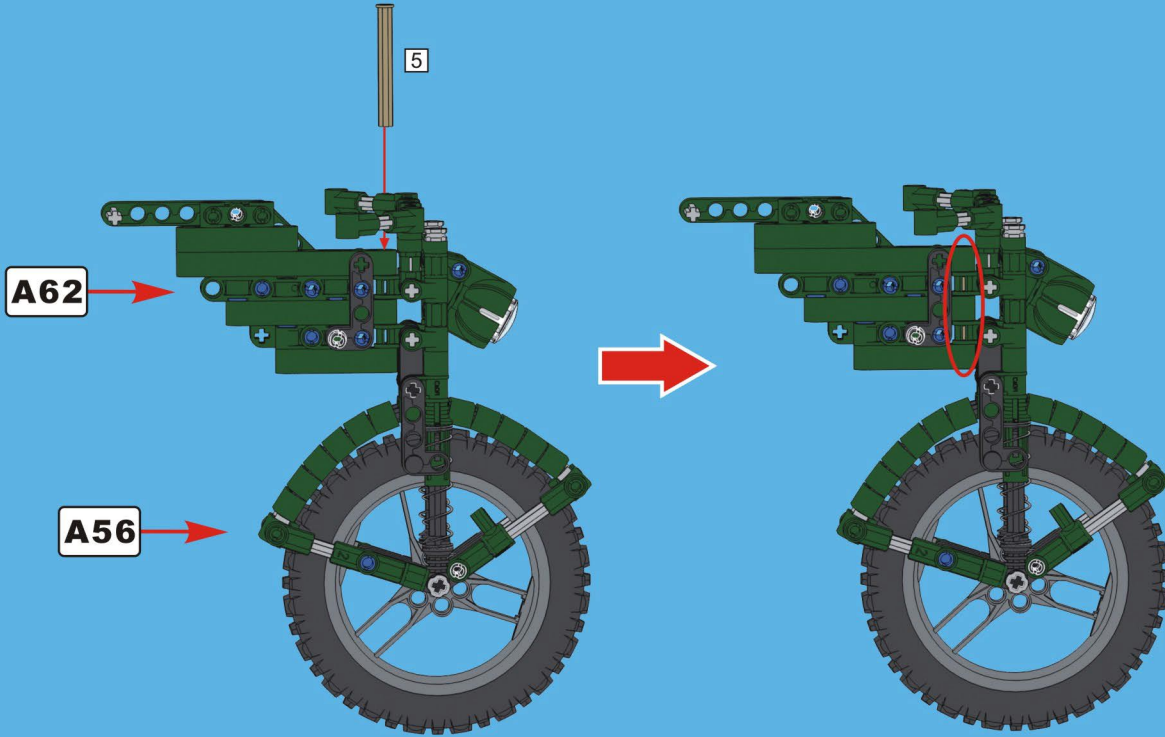


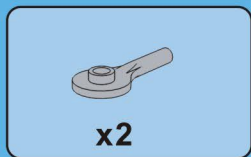
## A62



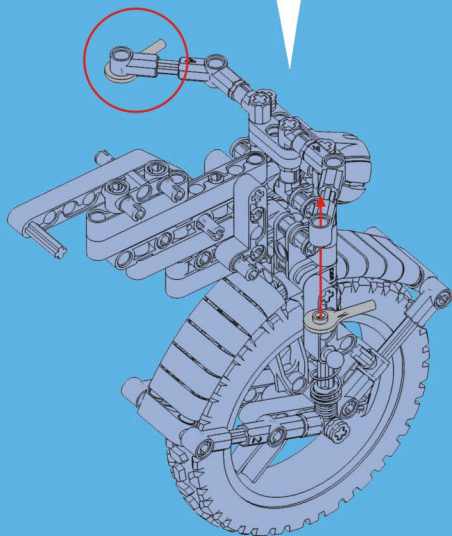
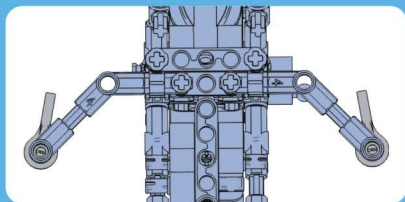


# A63



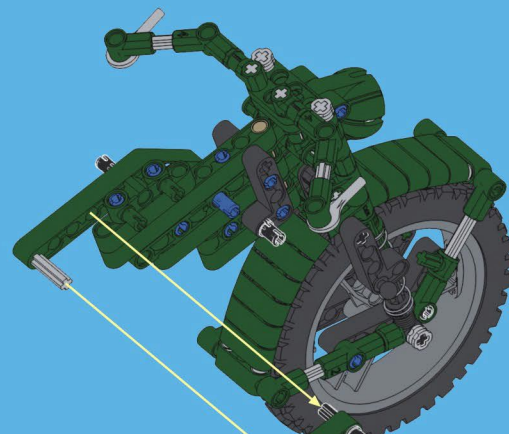


**A64**

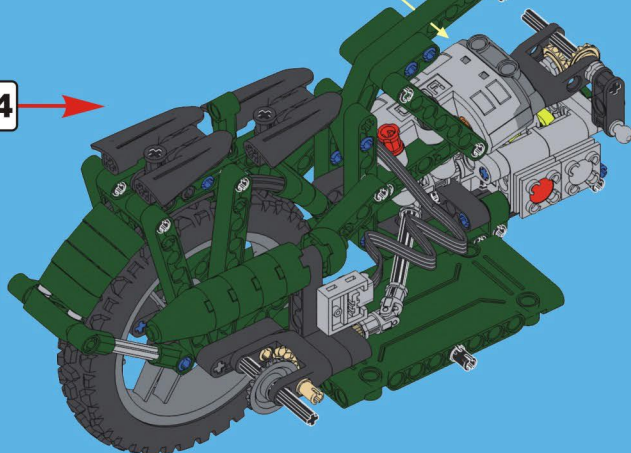


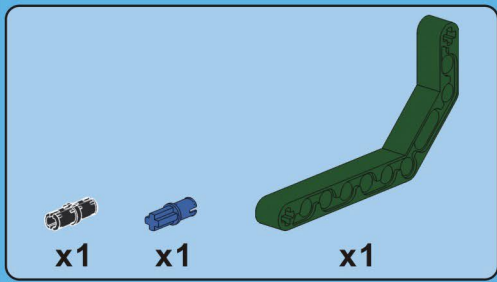
**A65**

**A73**

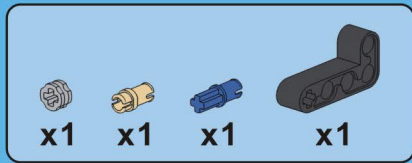
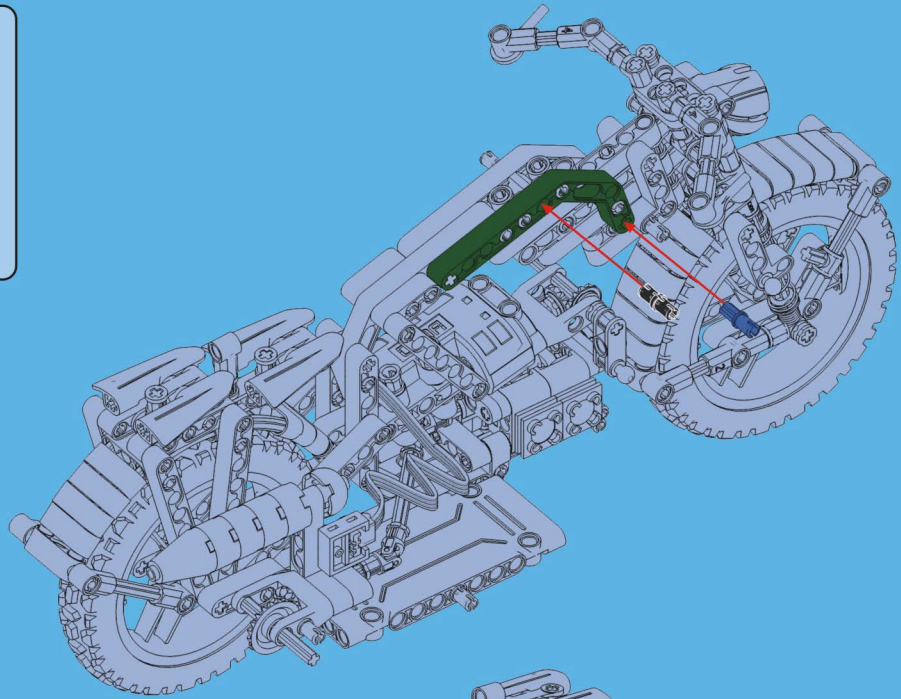


**A44**

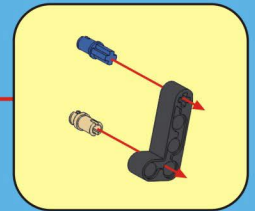
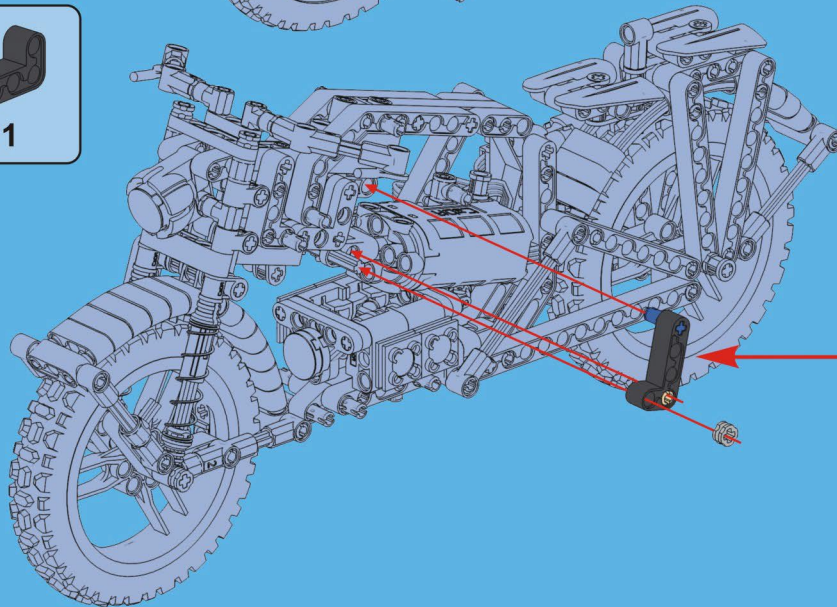


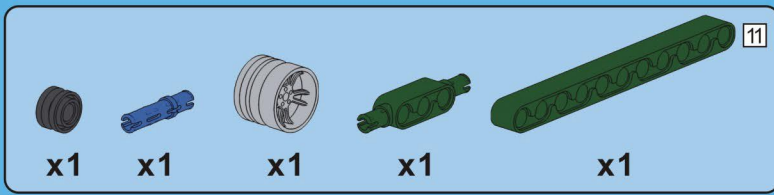


# A66

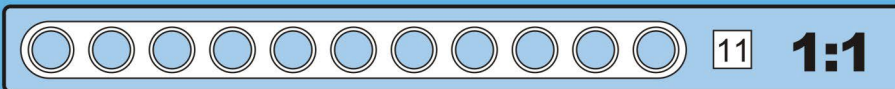
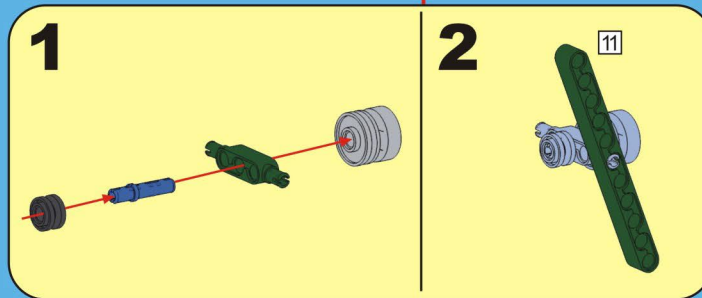
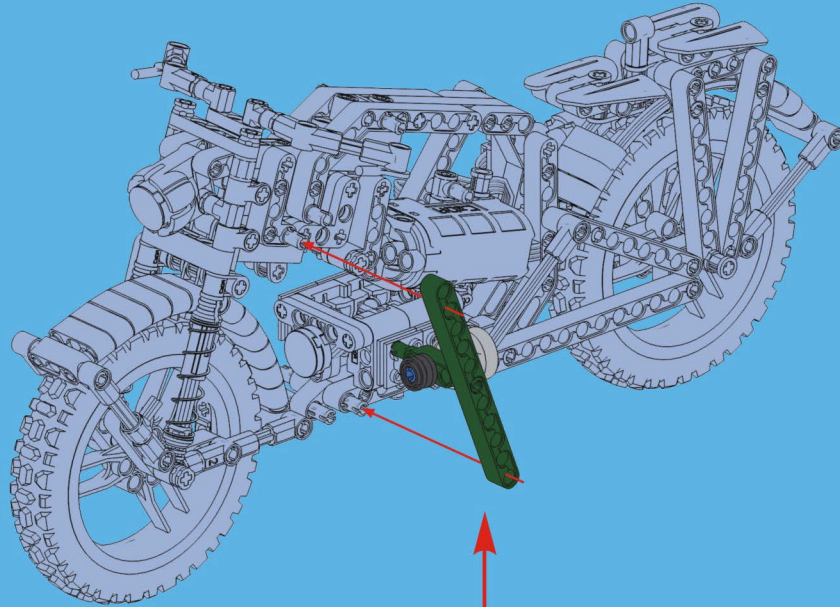


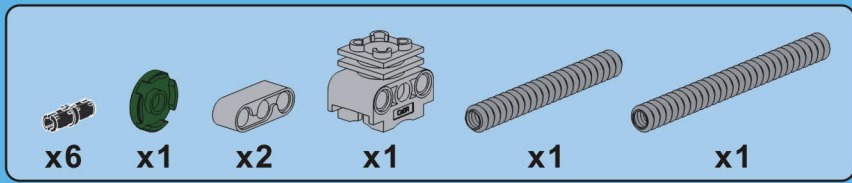
# A67



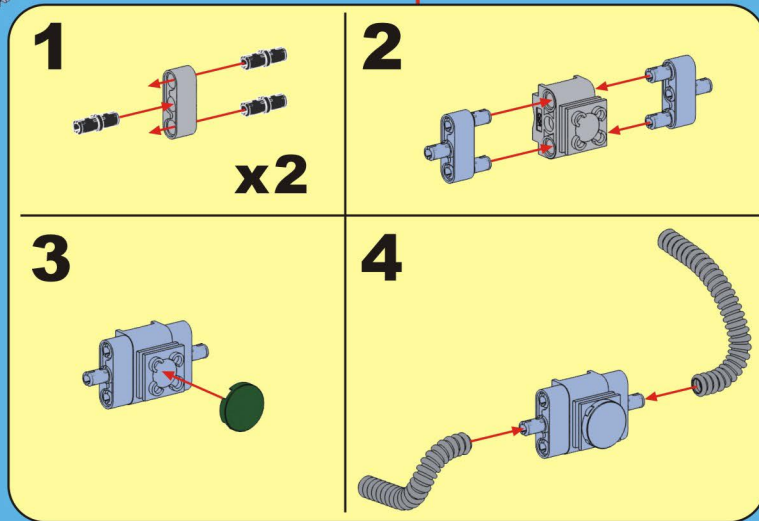
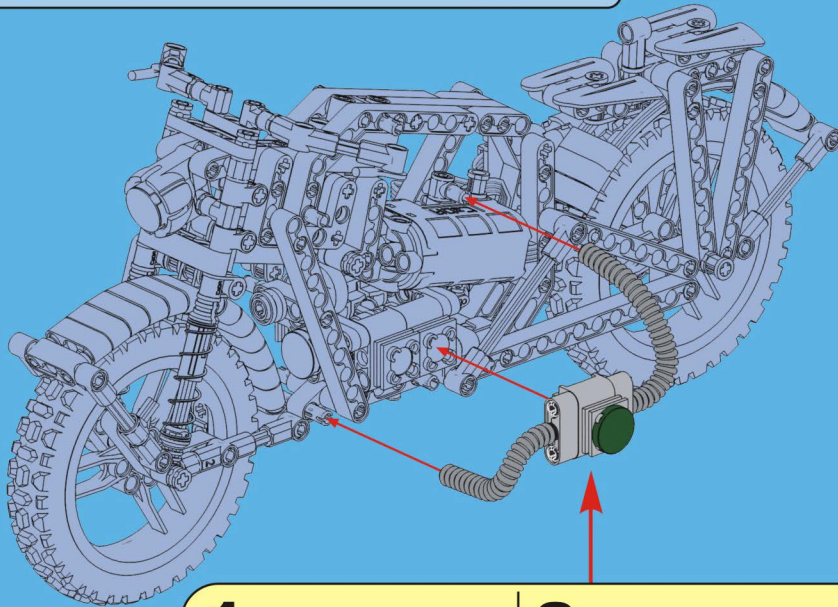


# A68

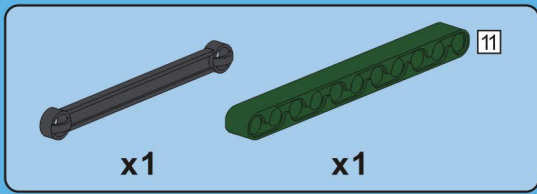




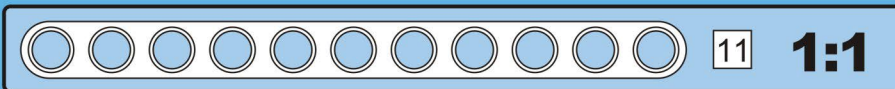
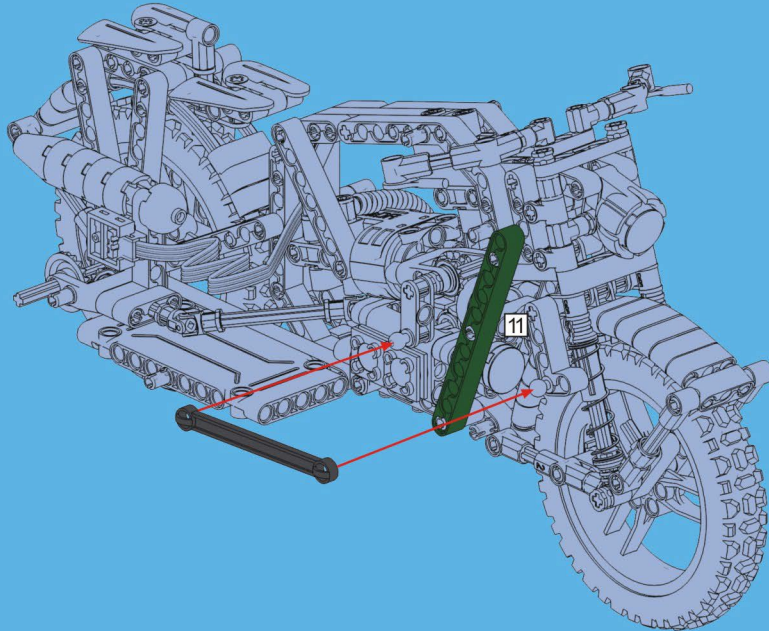
# A69

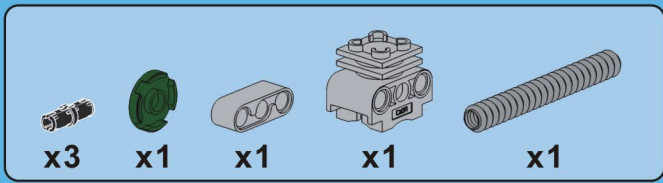




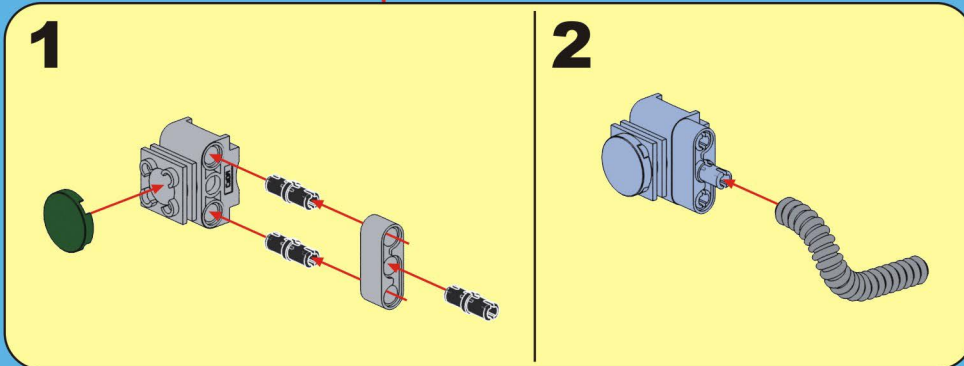
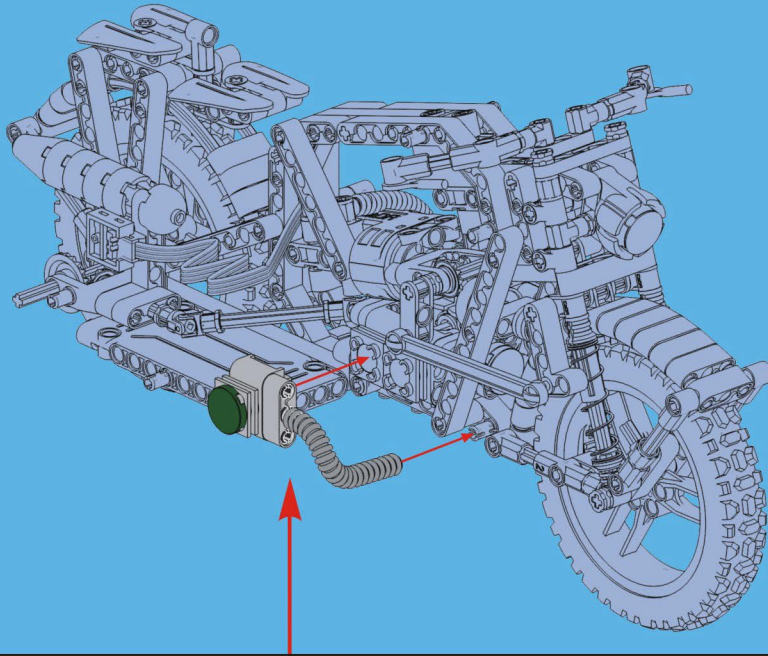


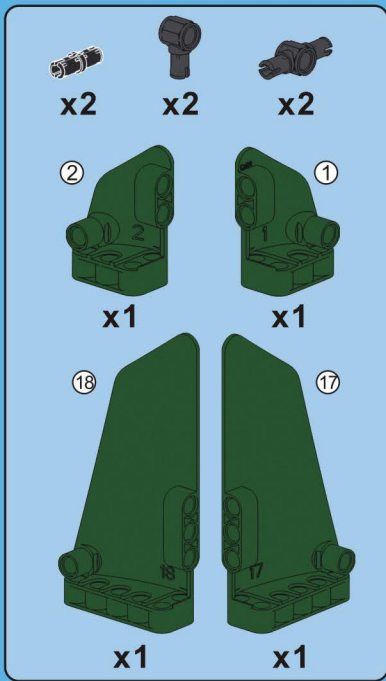
# A70



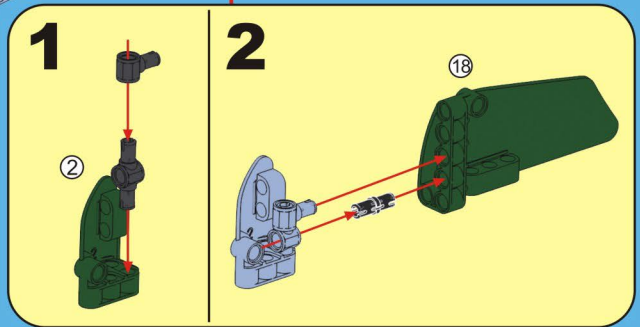
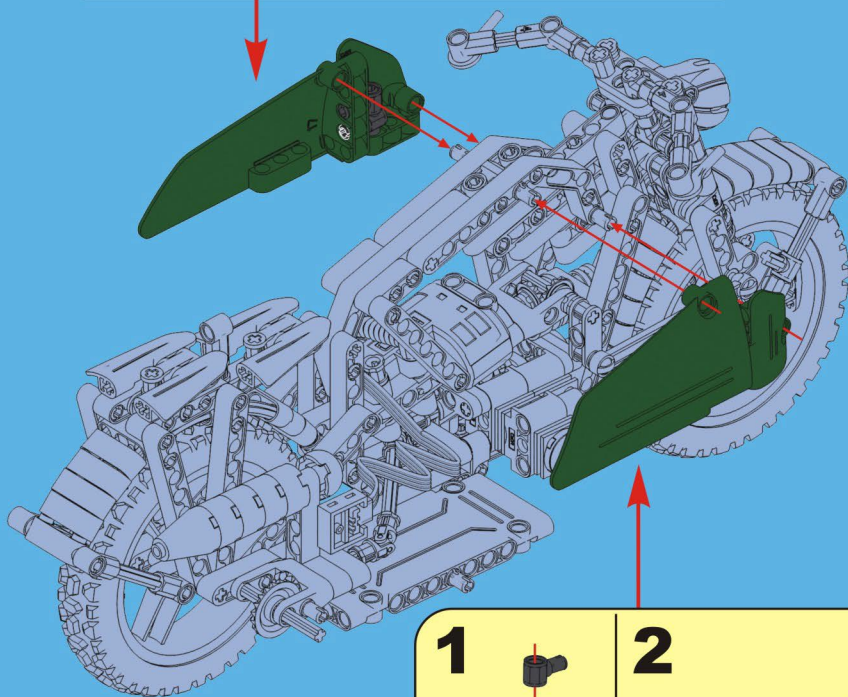
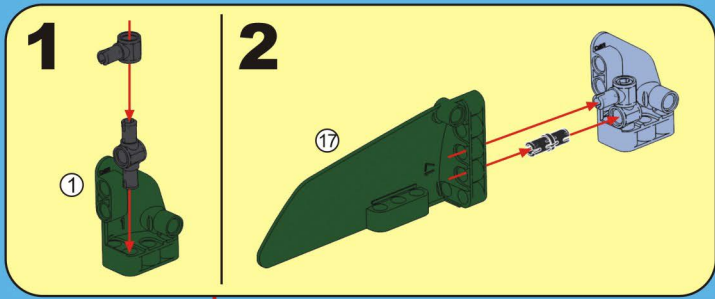


# A71





**A72**



**B**

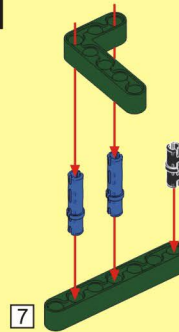
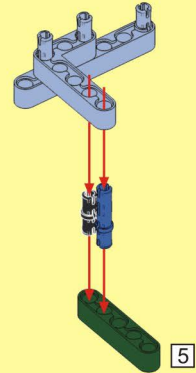
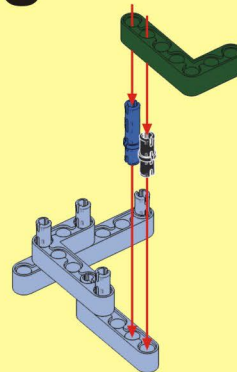
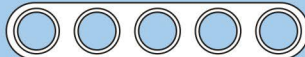
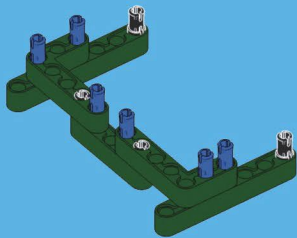
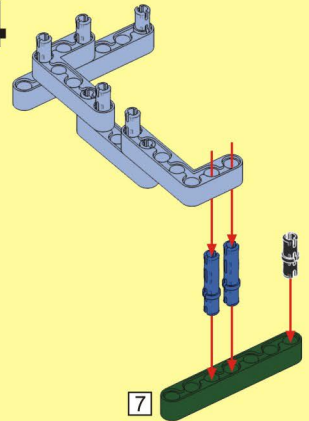
x4

x6

x1

x2

x2

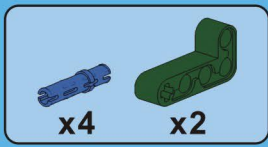
**B1****1****2****3****4**

5

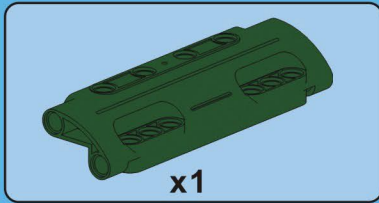
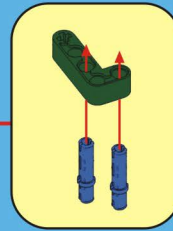
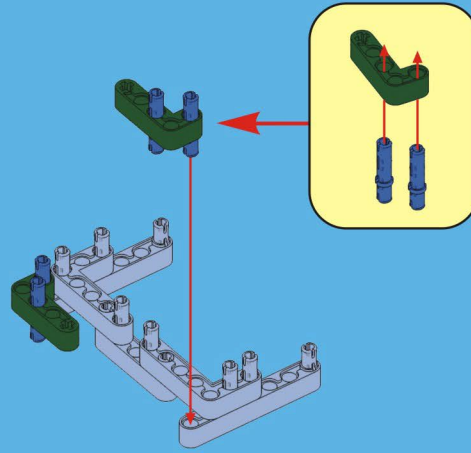
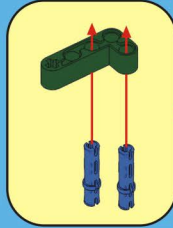


7

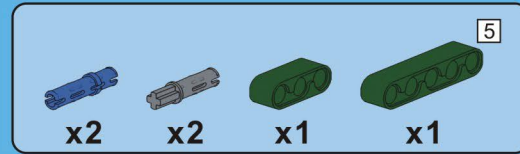
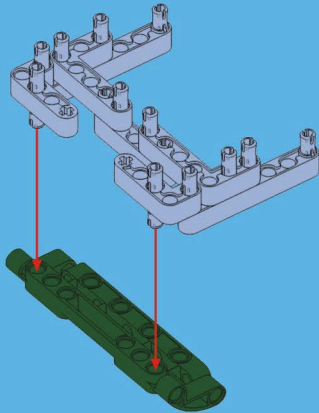
**1:1**



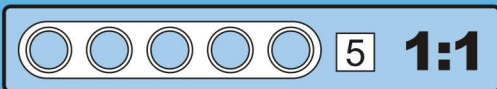
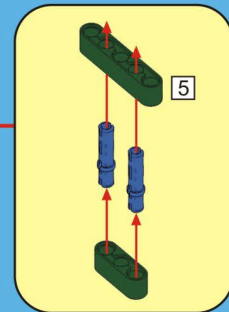
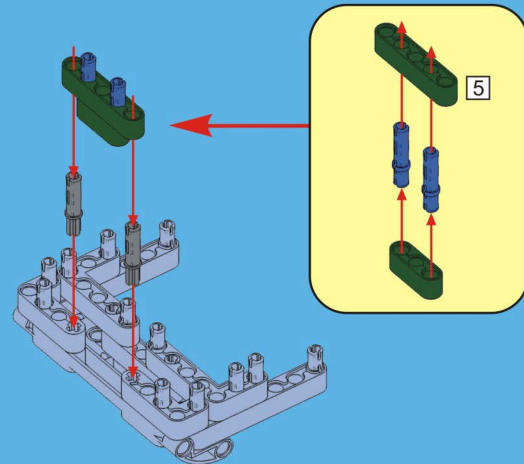
## B2

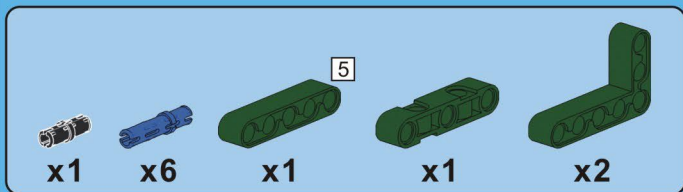


## B3

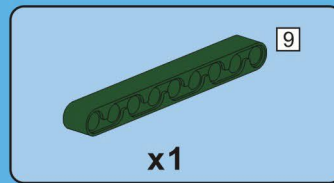
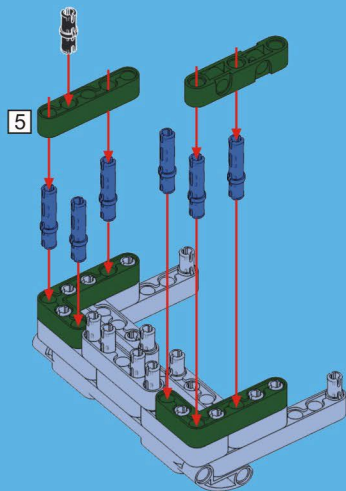


## B4

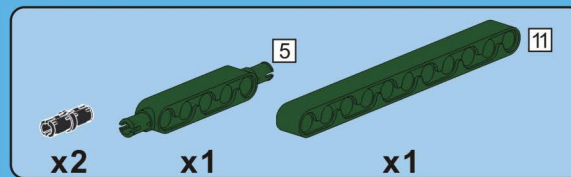
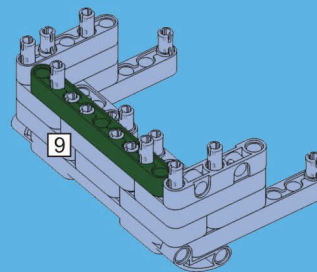




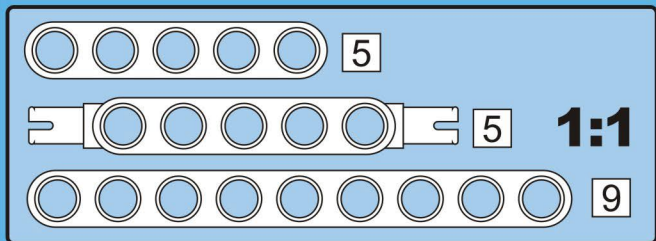
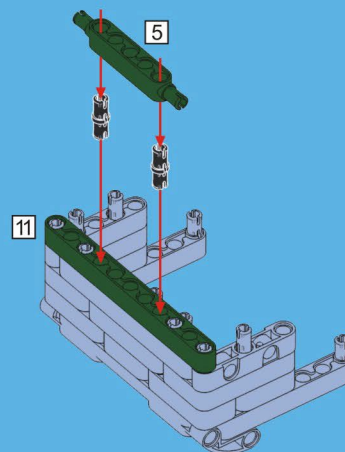
## B5

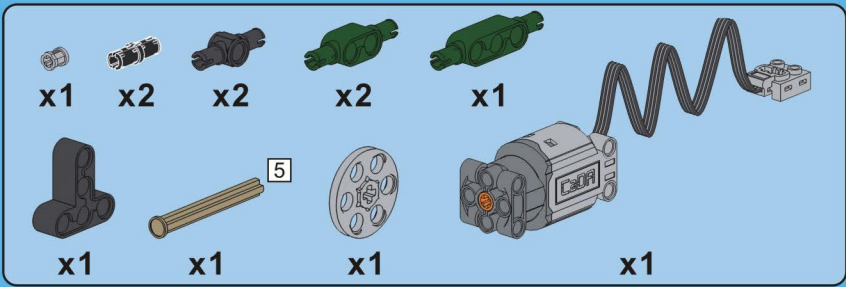


## B6

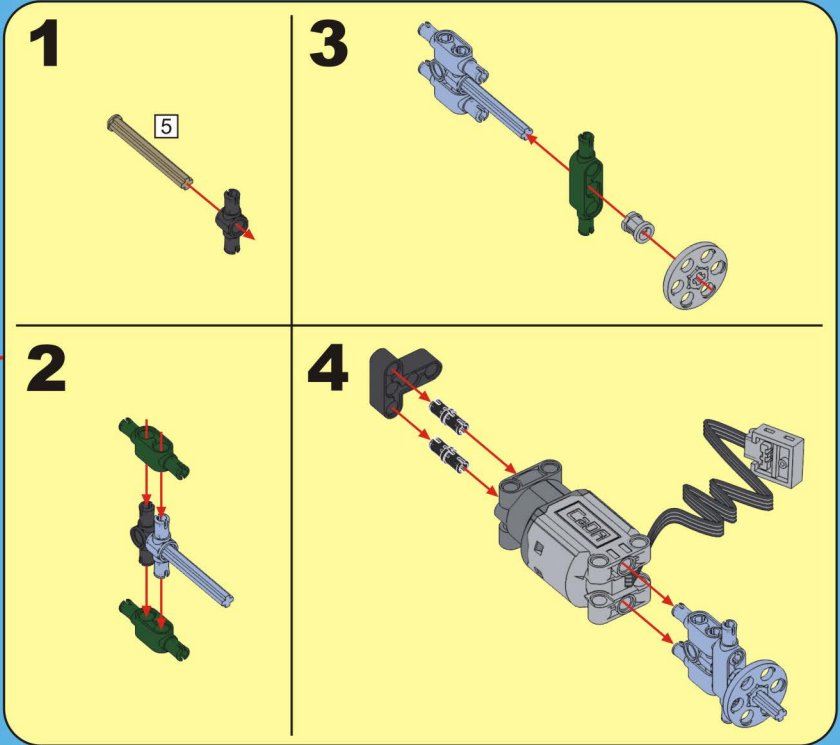
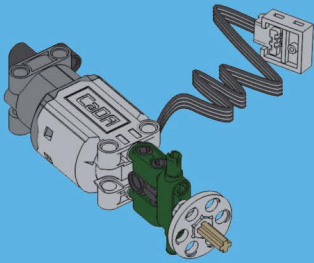


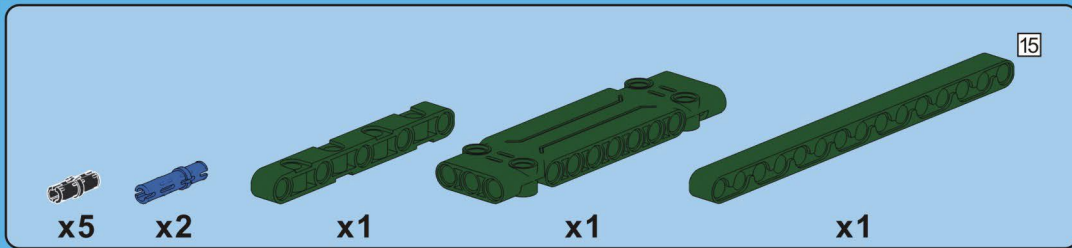
## B7



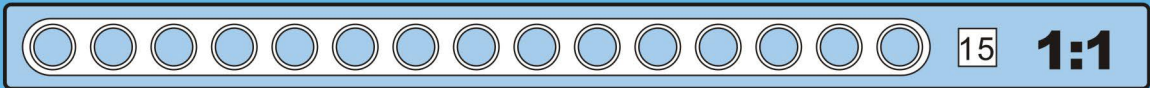
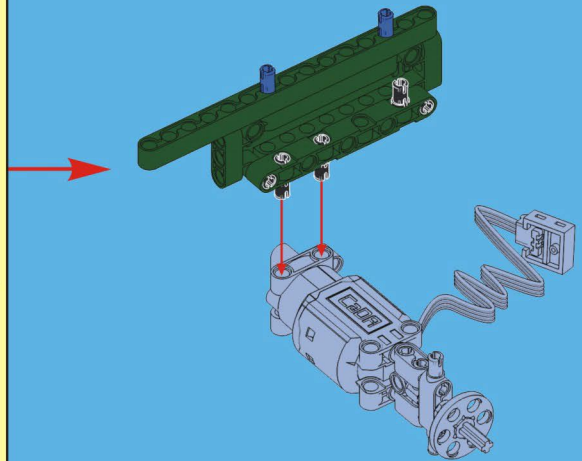
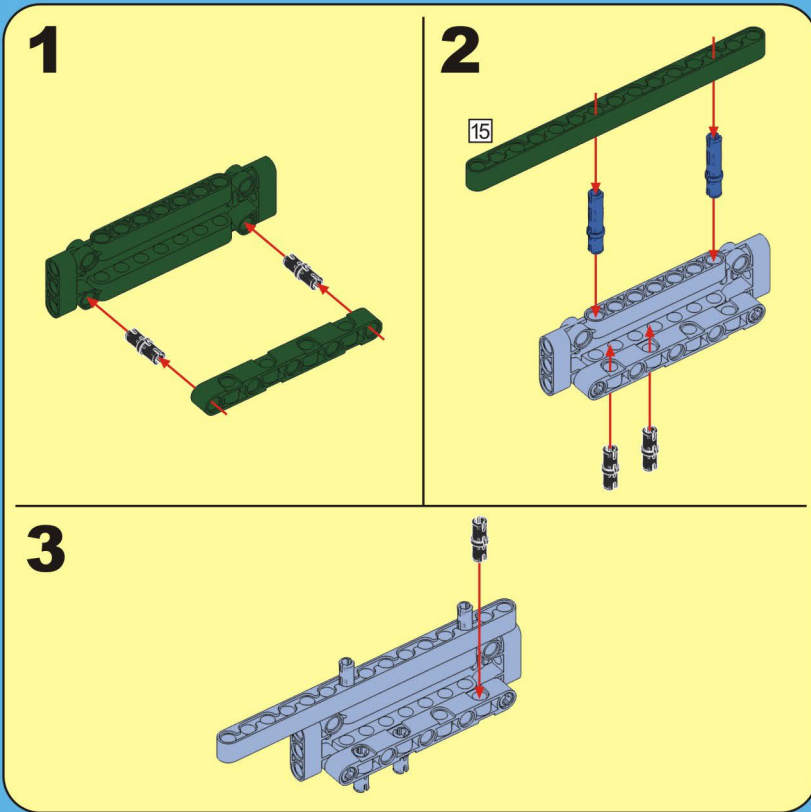


# B8



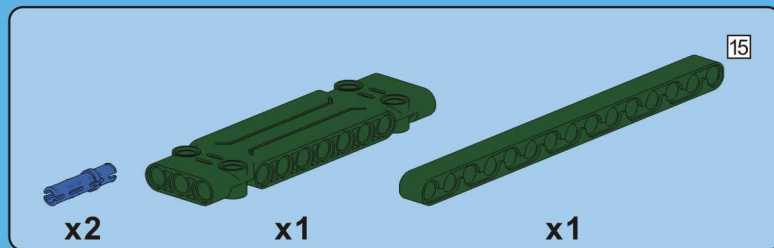


# B9

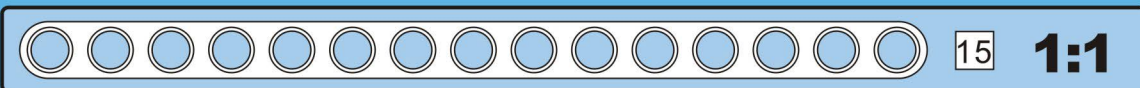
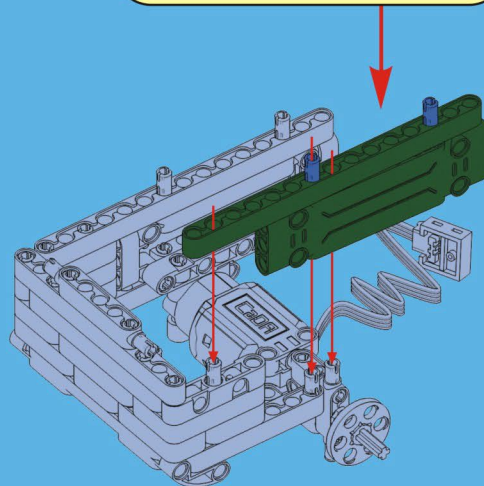
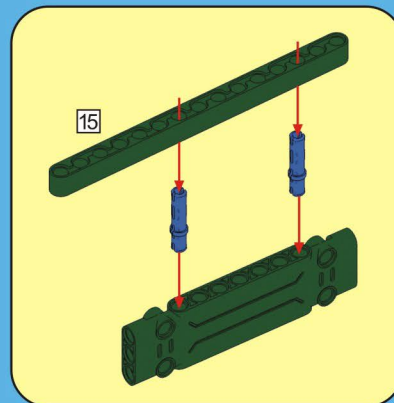
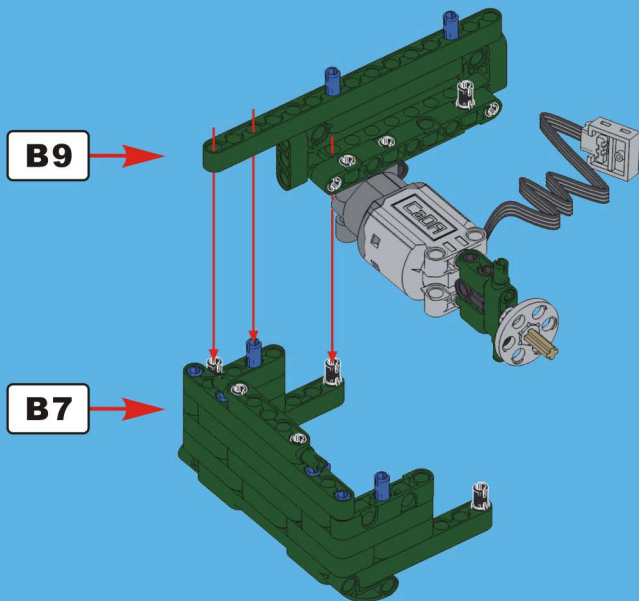


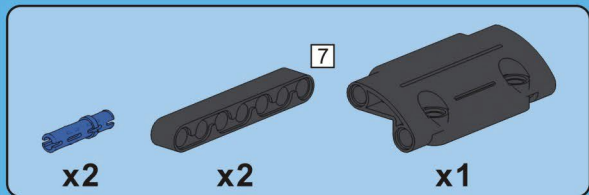


# B10

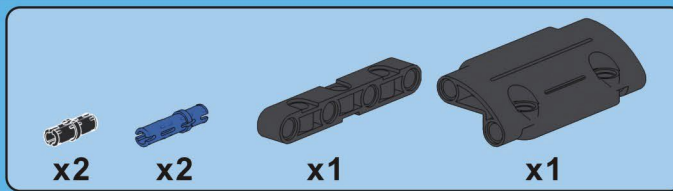
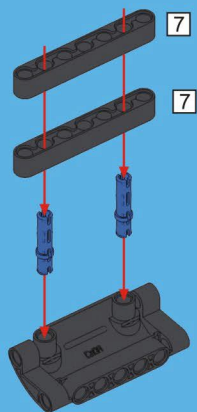


# B11

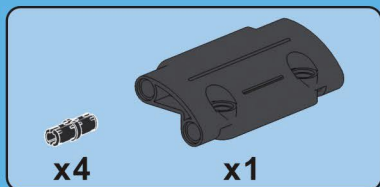
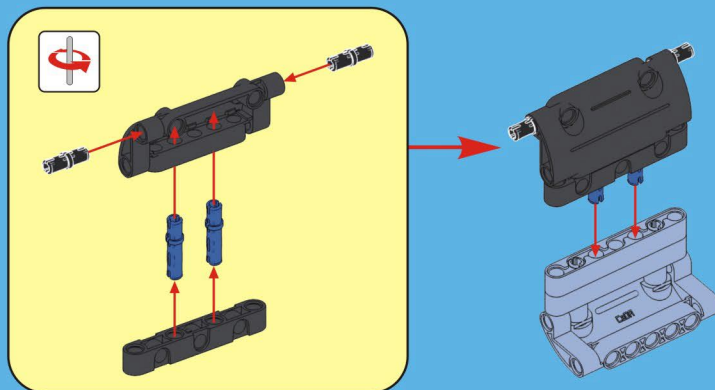




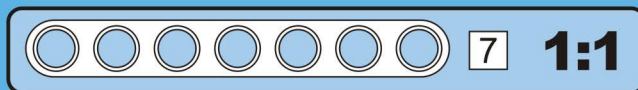
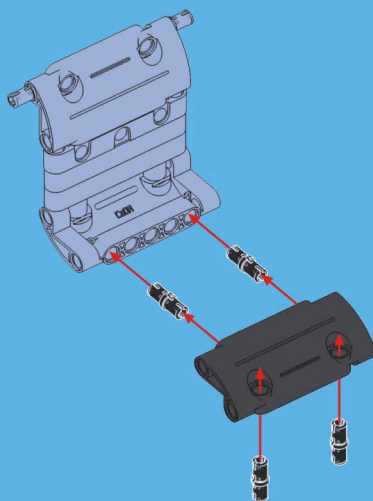
# B12

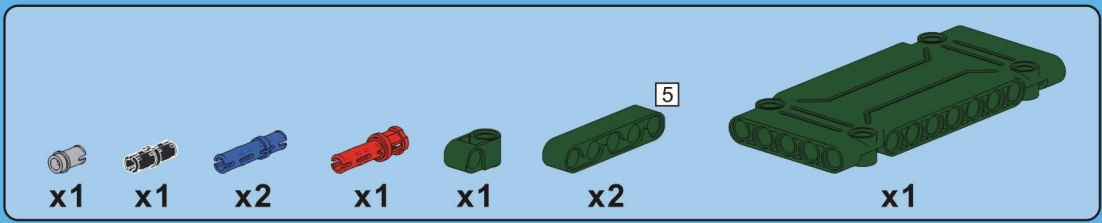


# B13

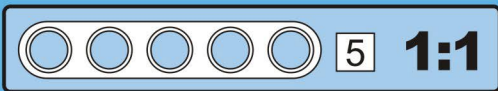
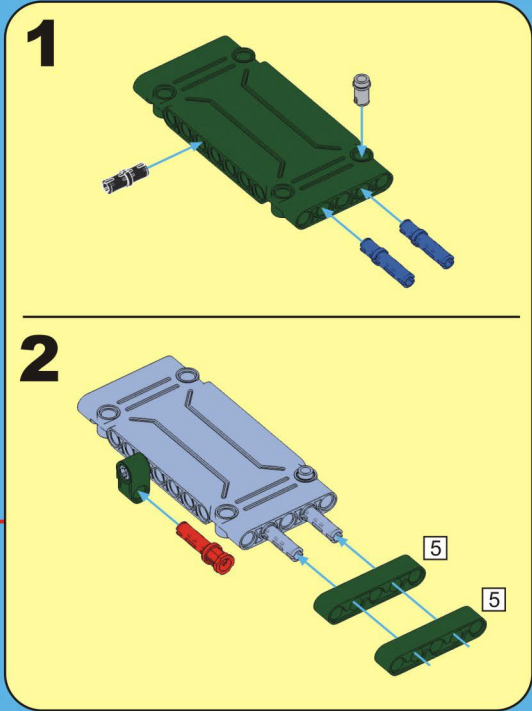
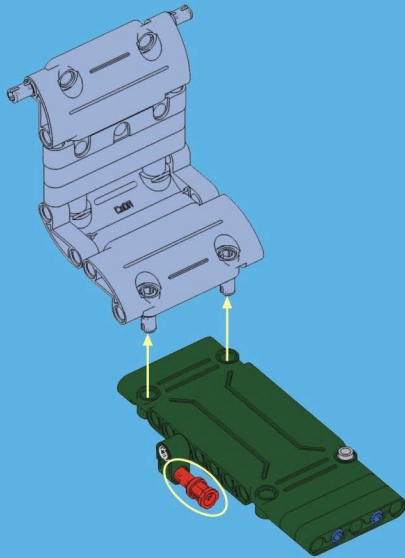


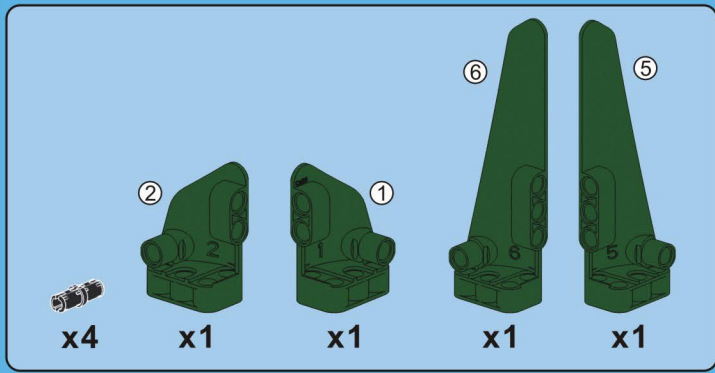
# B14



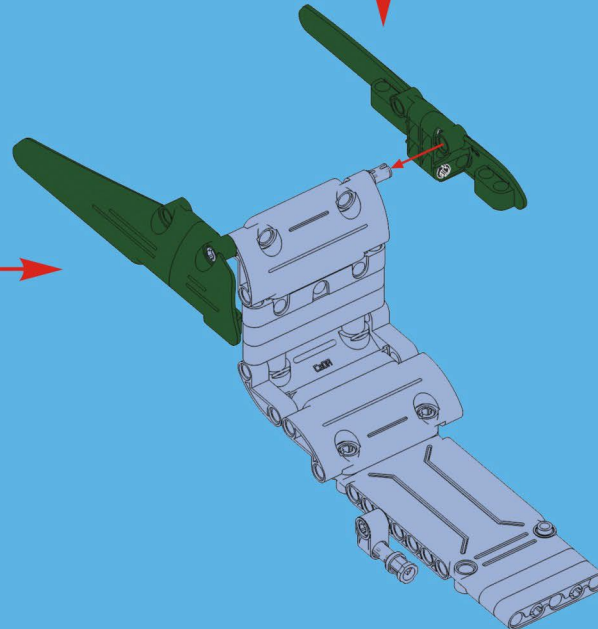
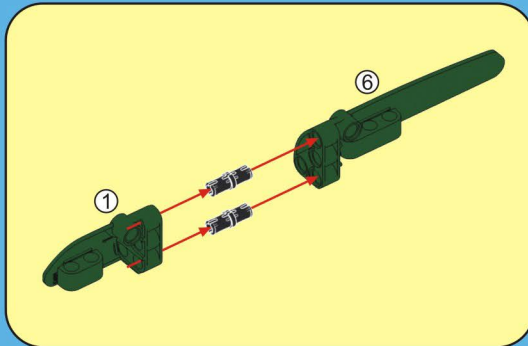
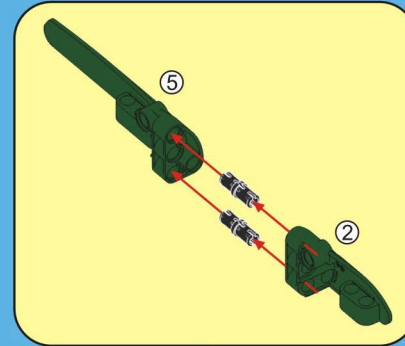


# B15

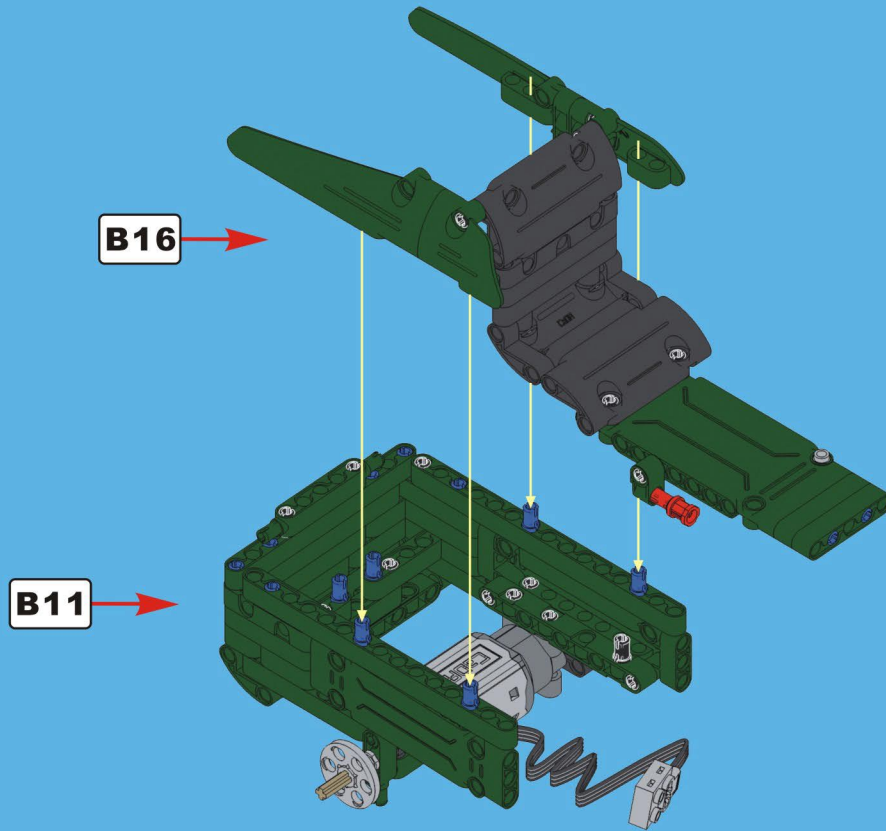


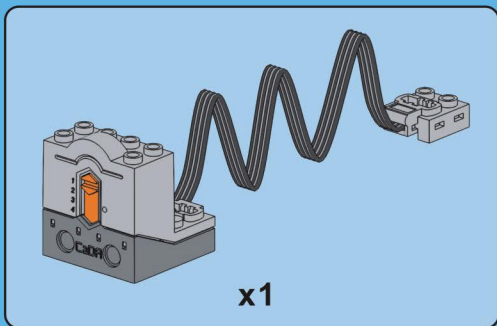


# B16

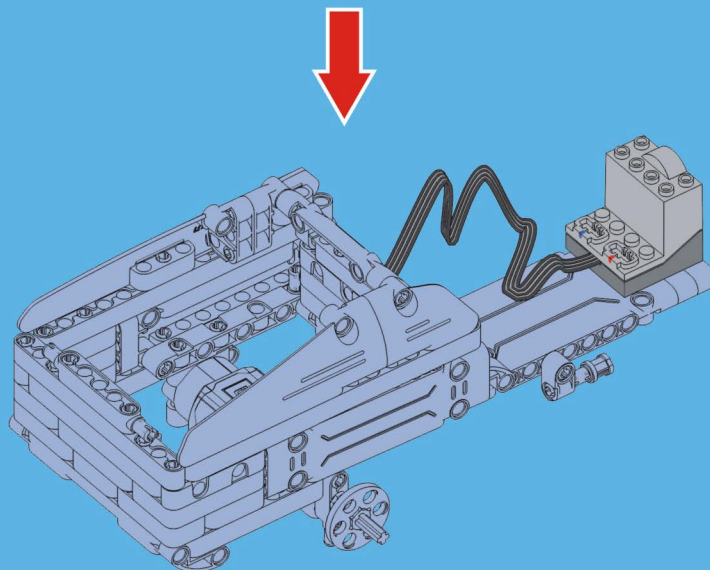
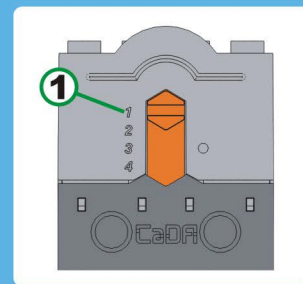
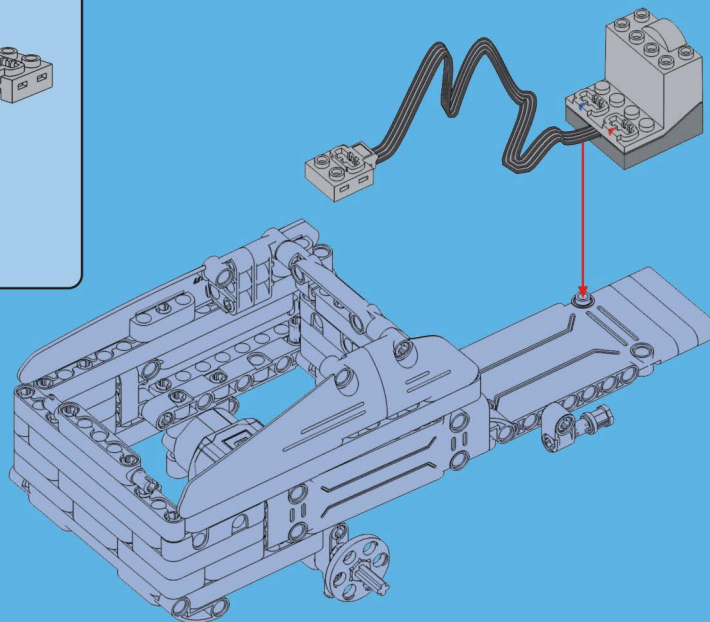


# B17

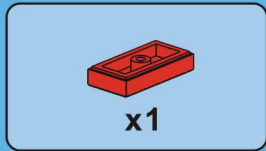
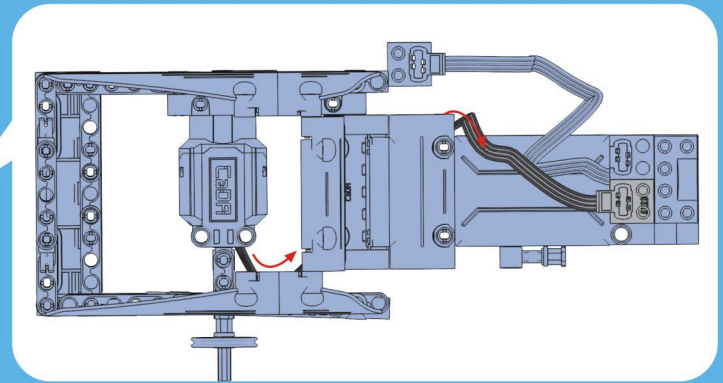
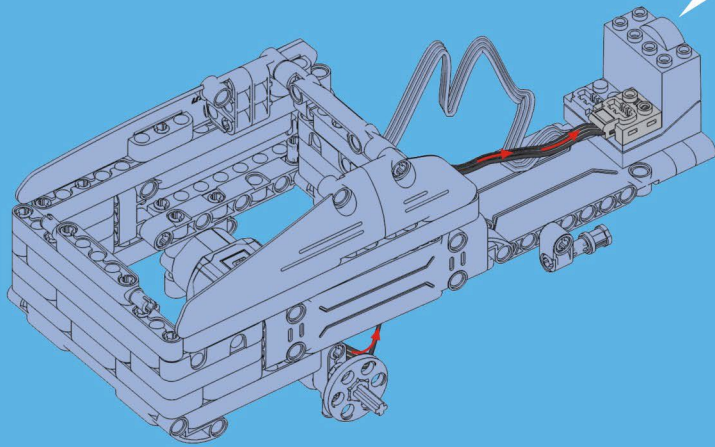




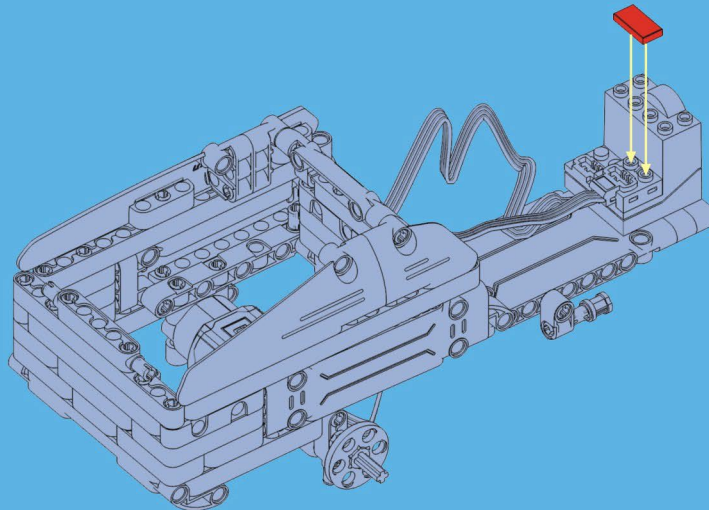
# B18

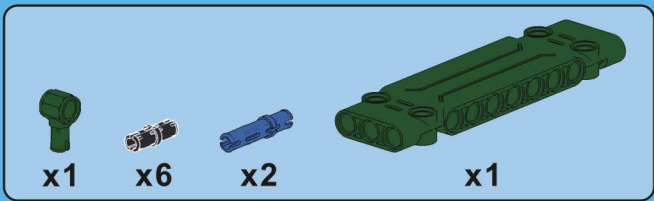


# B19

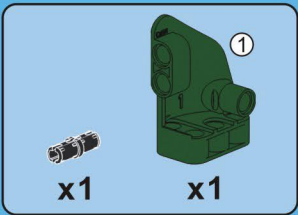
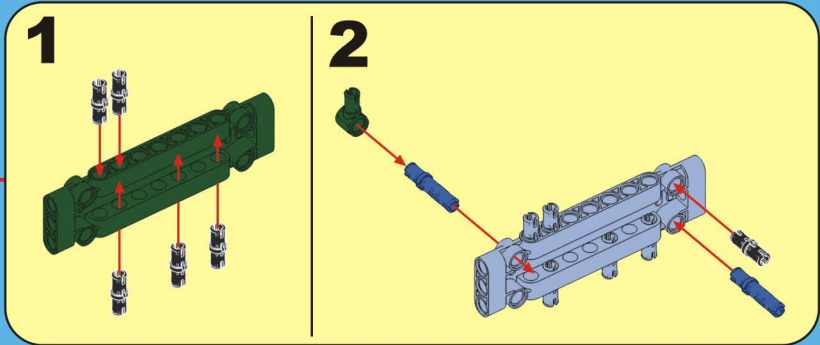
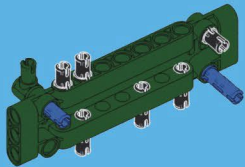


# B20

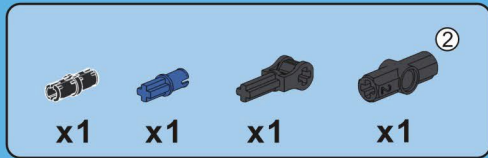
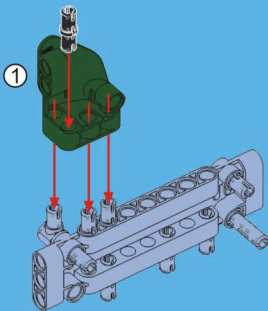




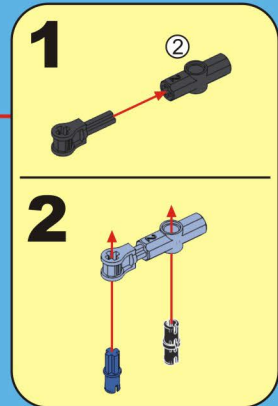
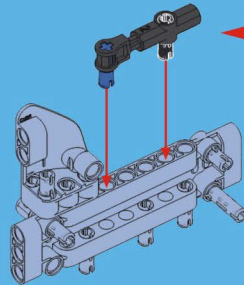
## B21



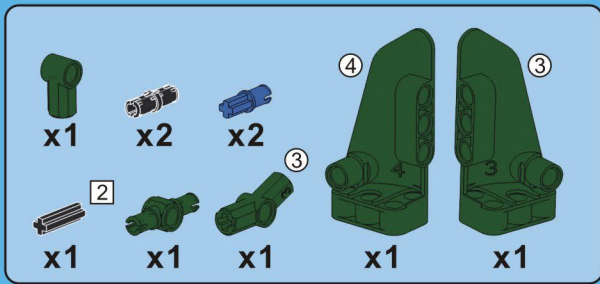
## B22



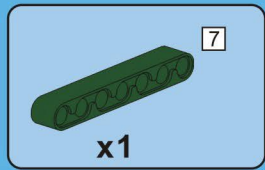
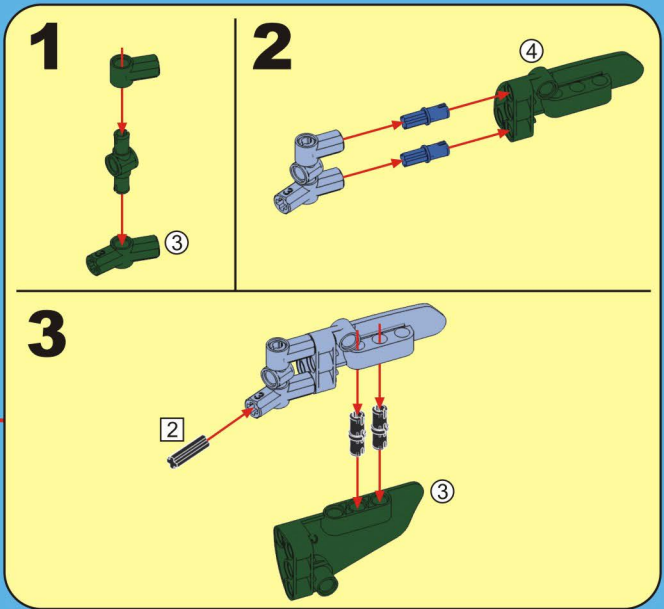
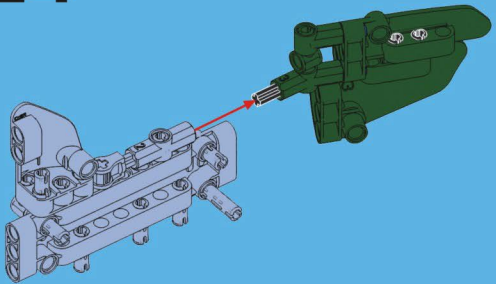
## B23



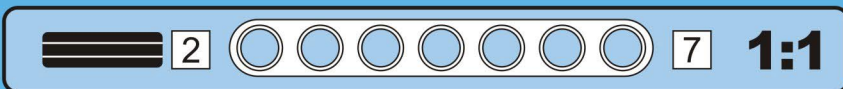
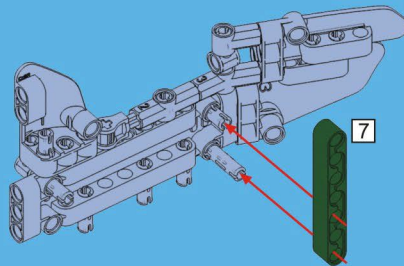




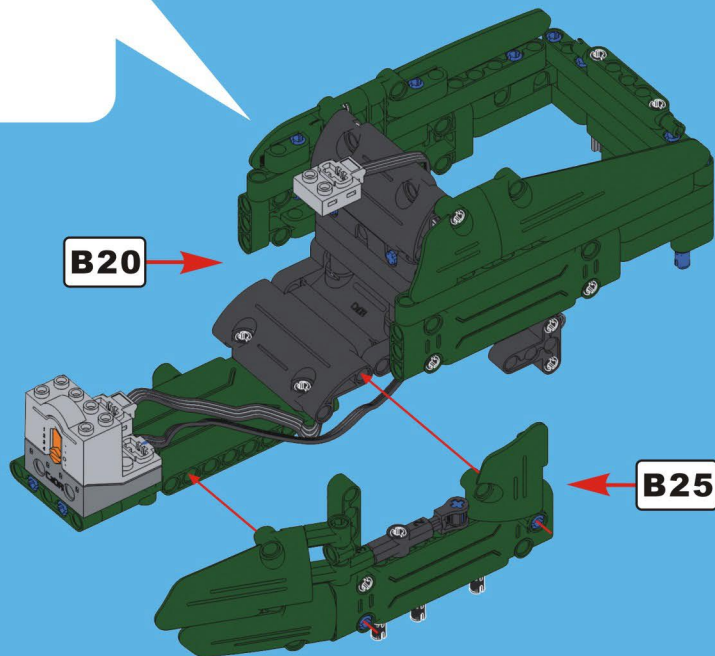
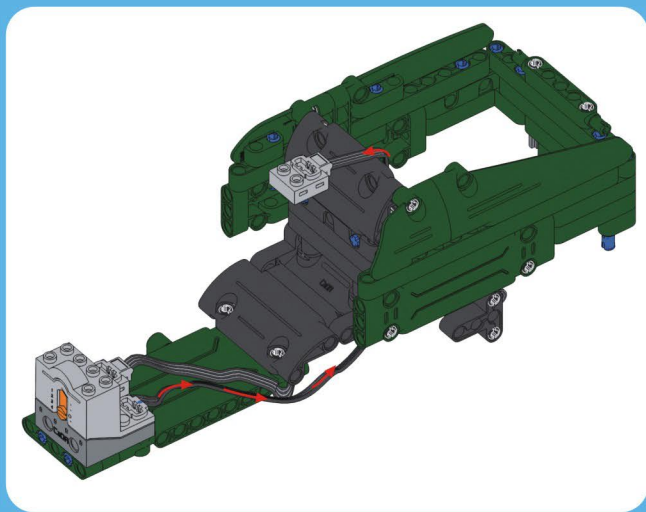
# B24

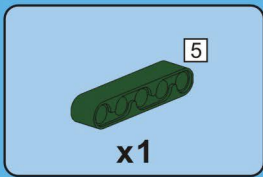


# B25

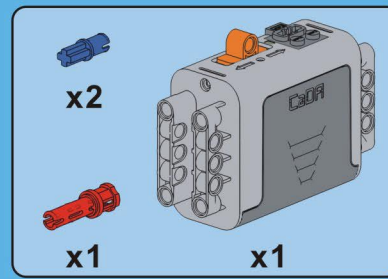
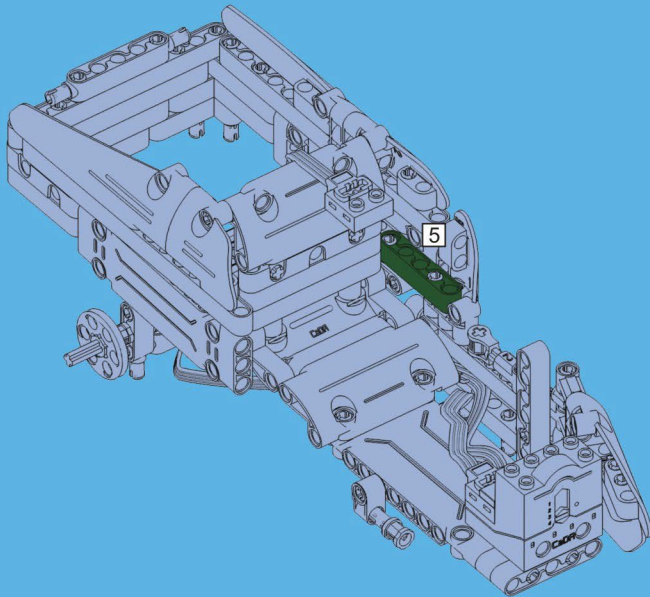


# B26

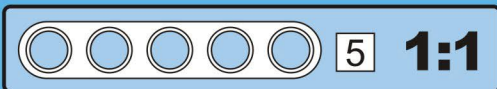
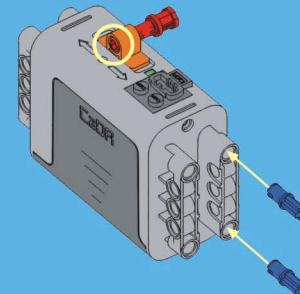
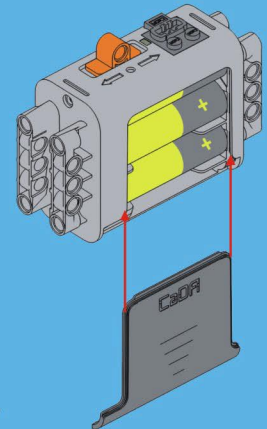
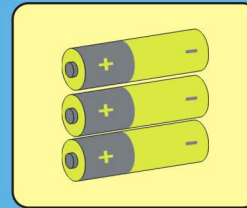




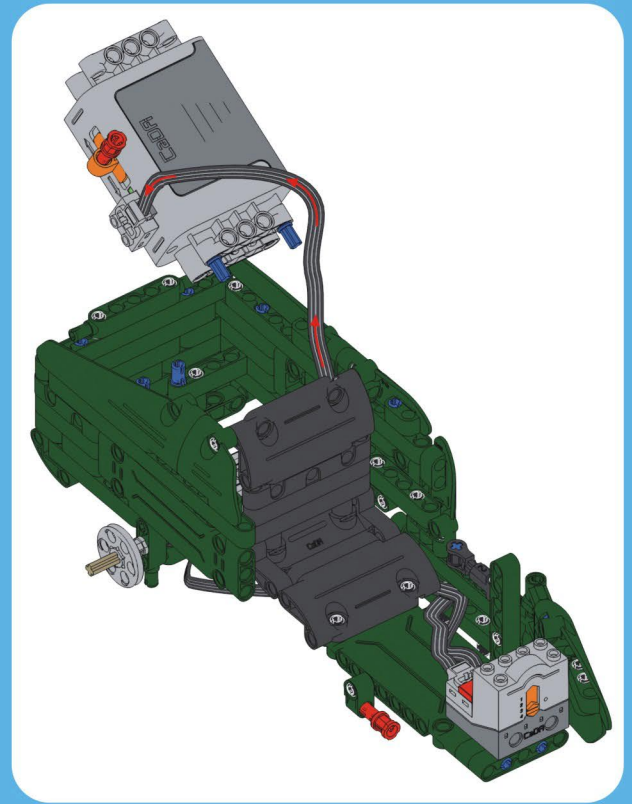
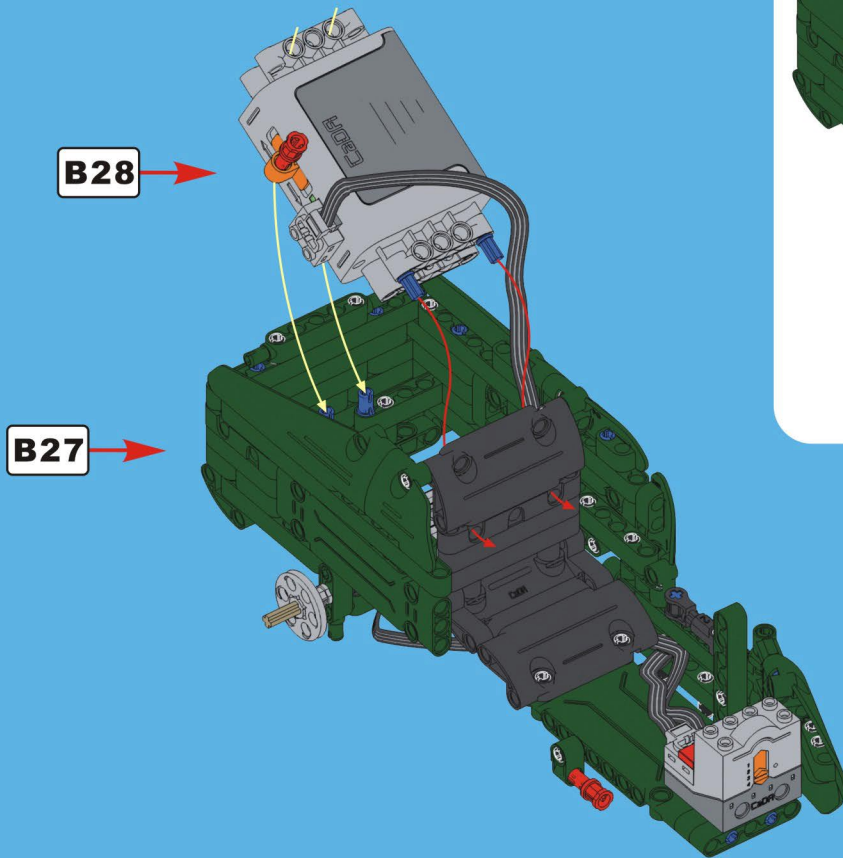
**B27**



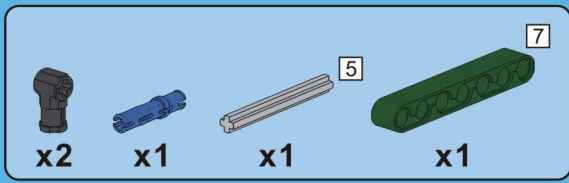
**B28**



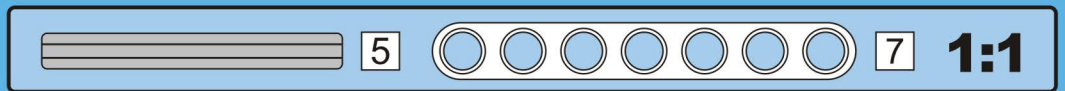
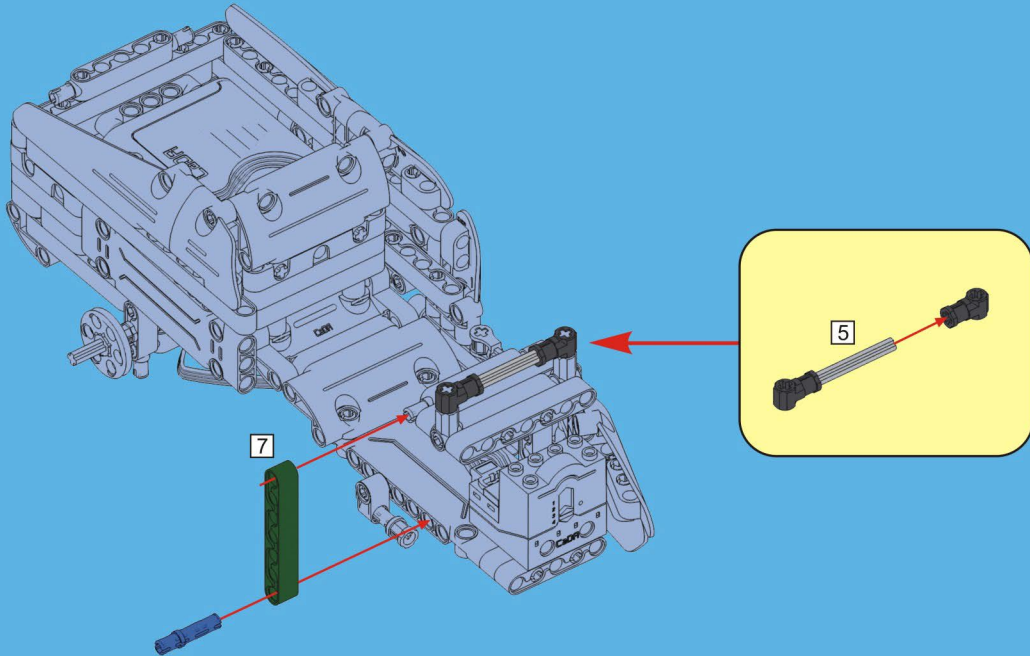
# B29

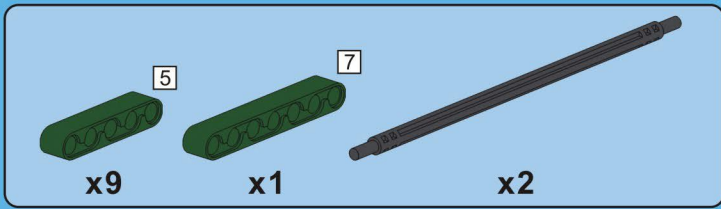




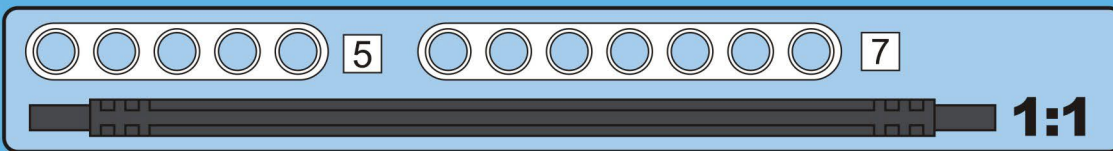
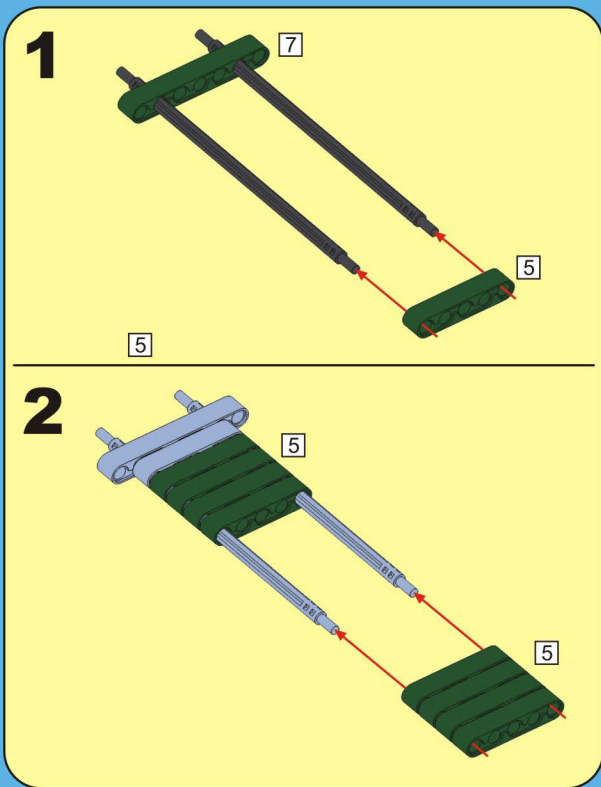
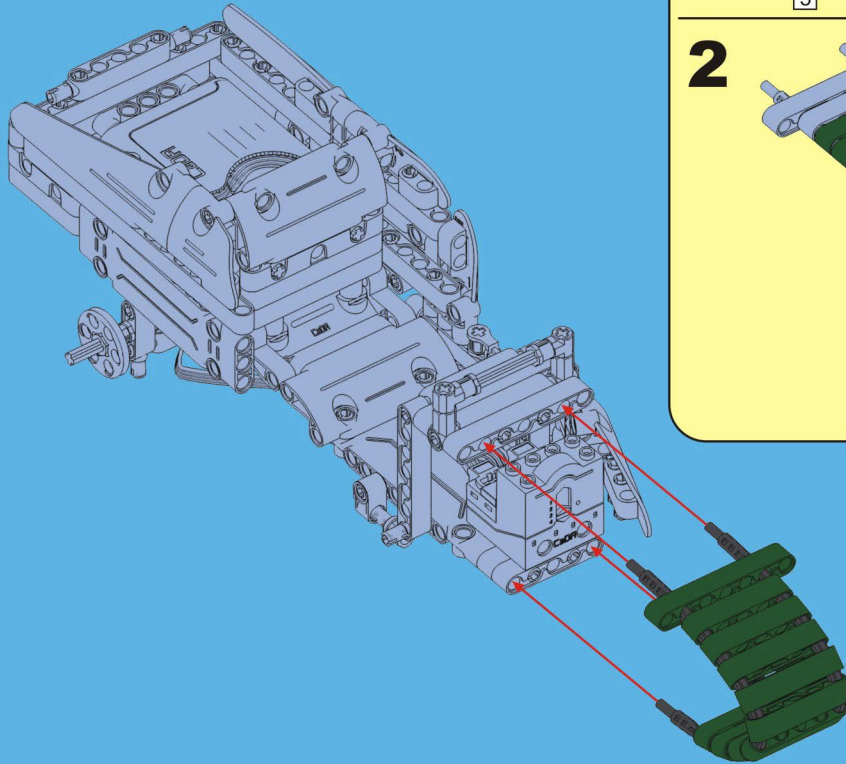


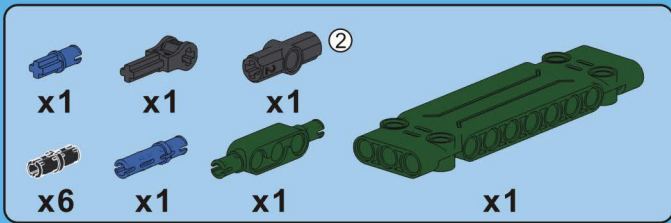
# B31



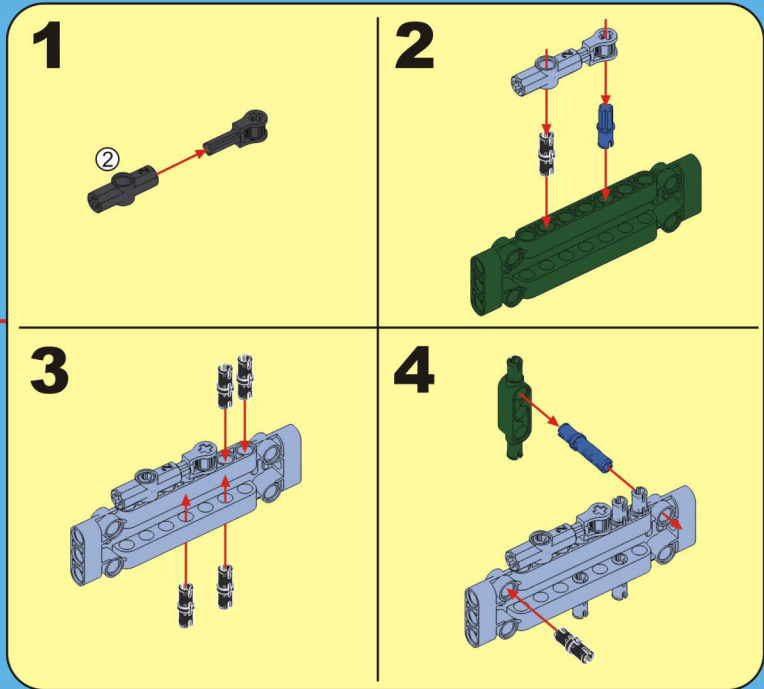
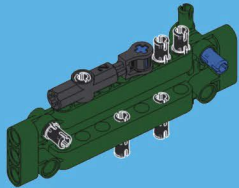


# B32

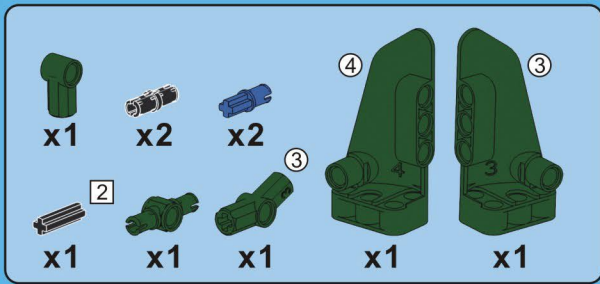




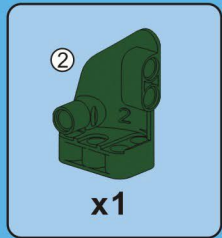
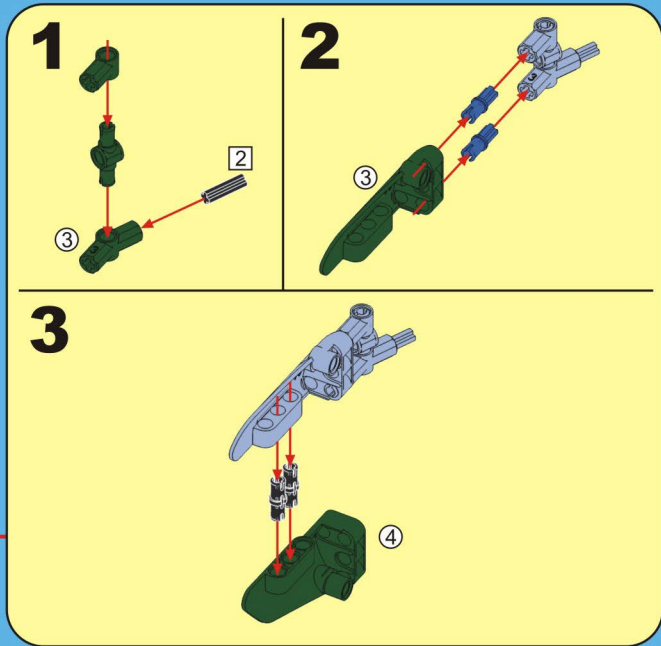
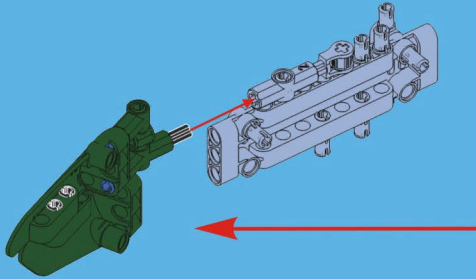
# B33



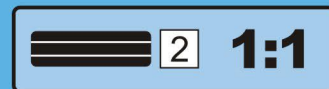
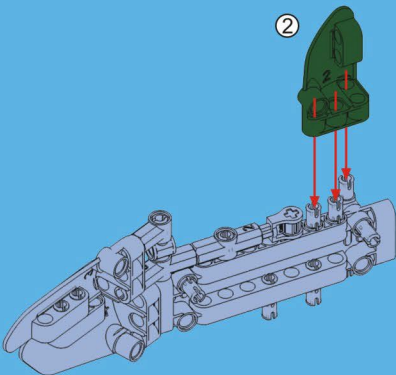




# B34



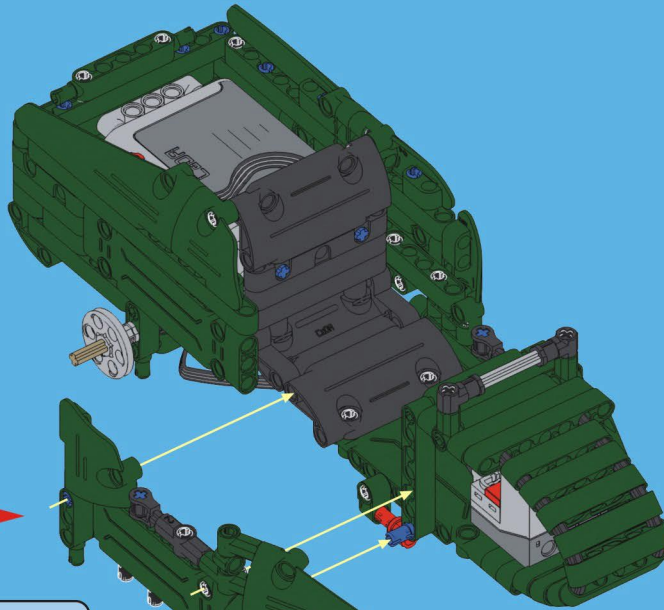
# B35



# B36



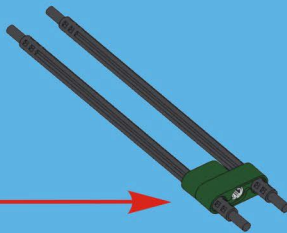
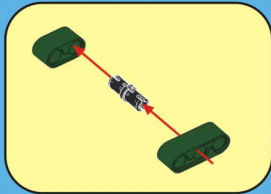
**B32**



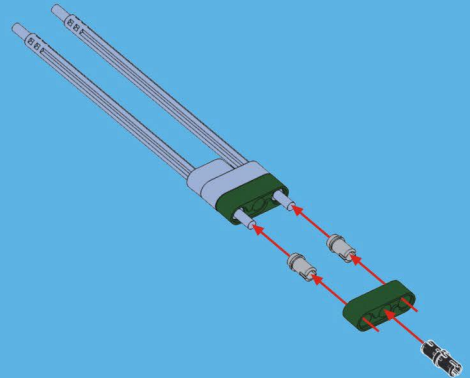
**B35**



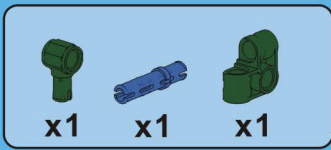
# B37



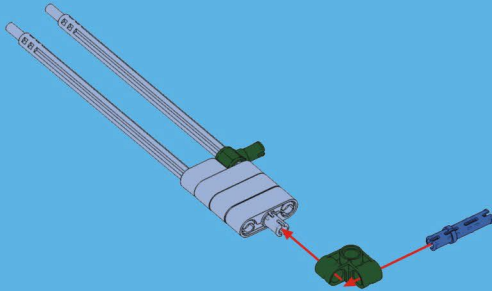
# B38



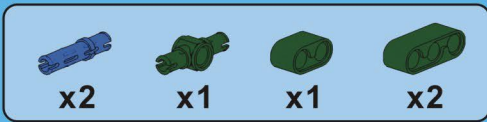
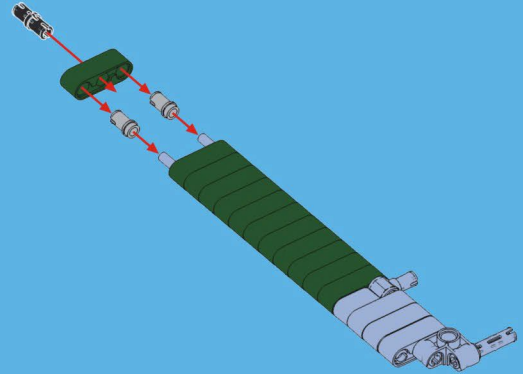
**1:1**



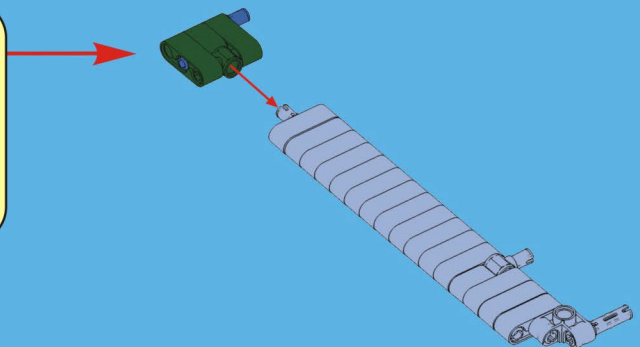
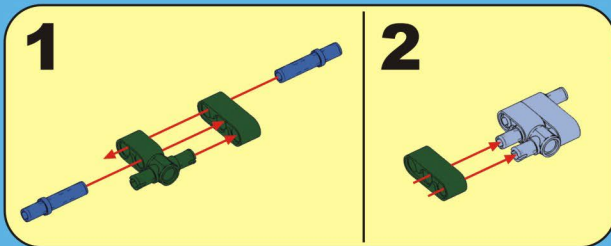
## B39



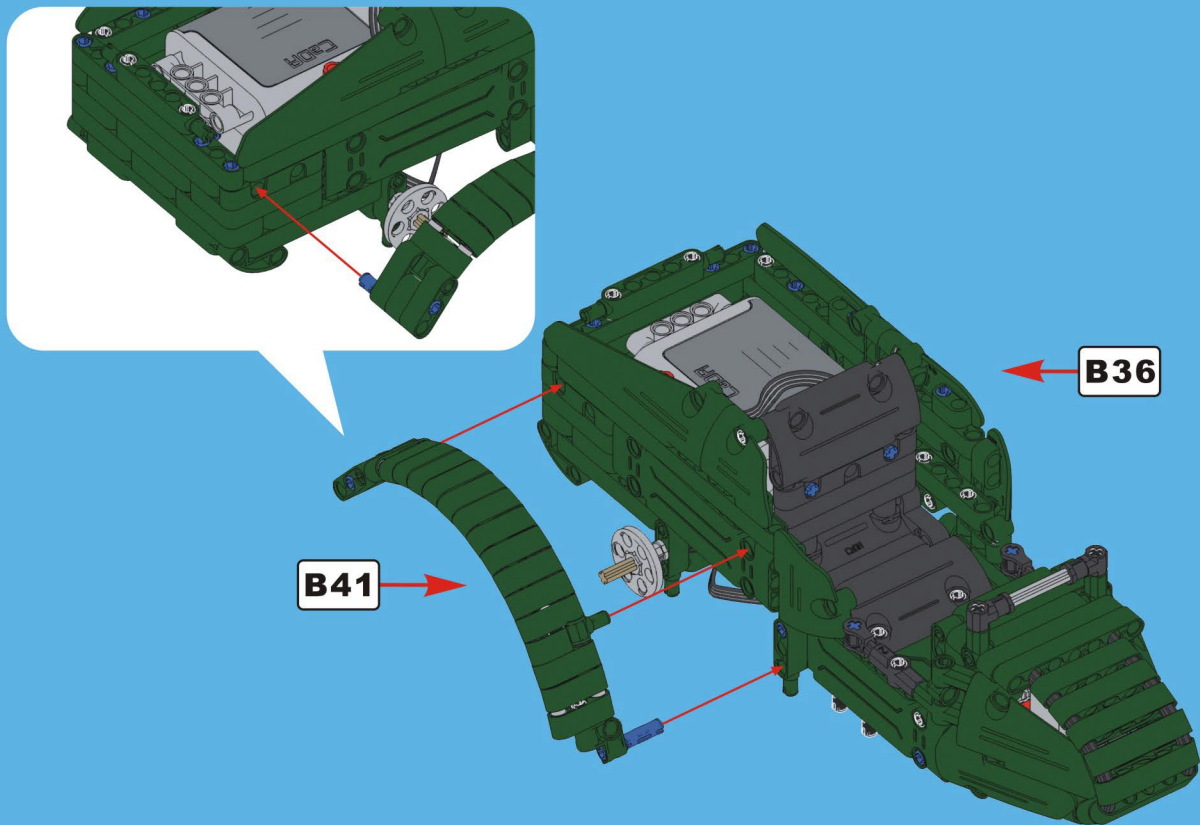
## B40

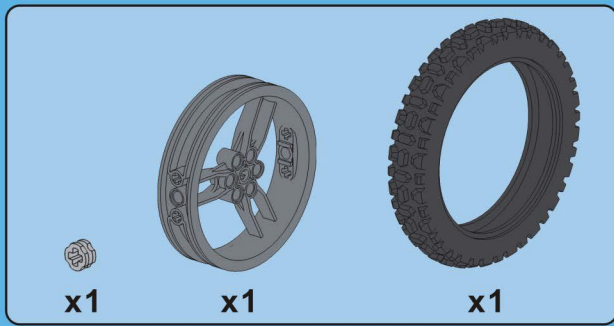


## B41

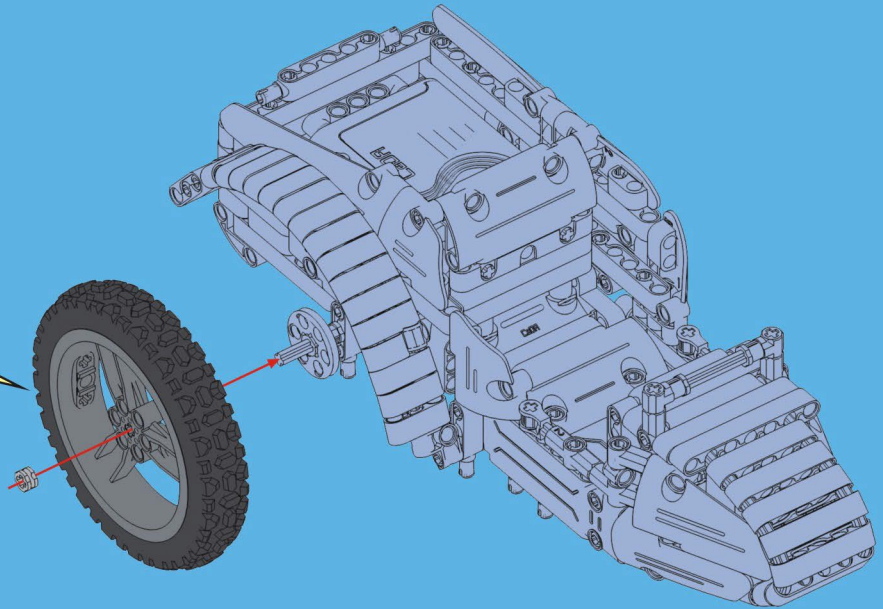


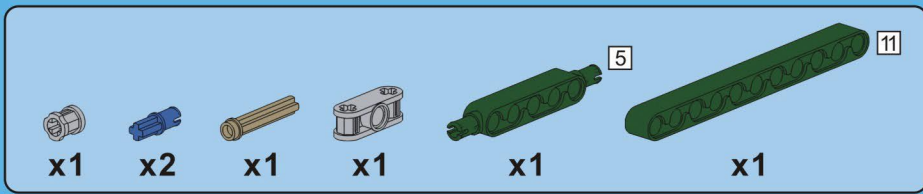
# B42



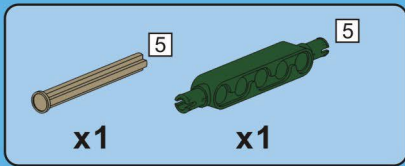
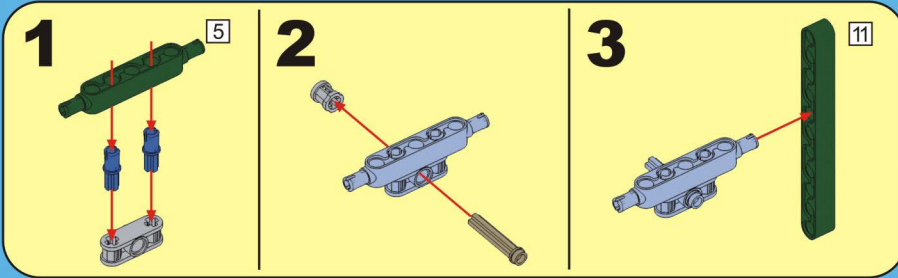


# B43

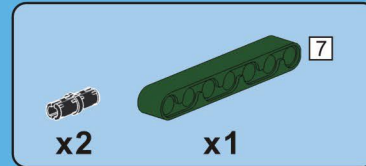
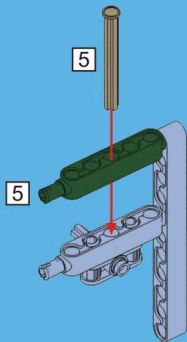




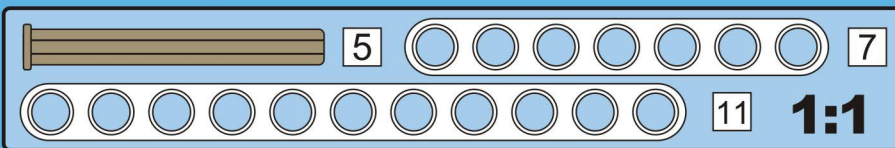
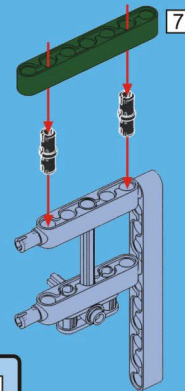
# B44



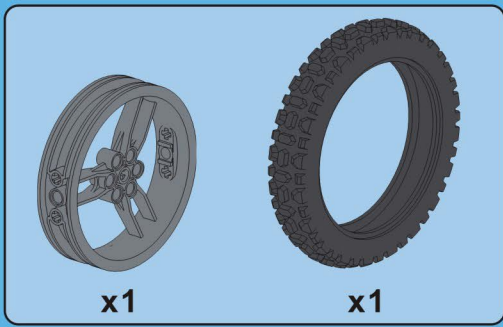
# B45



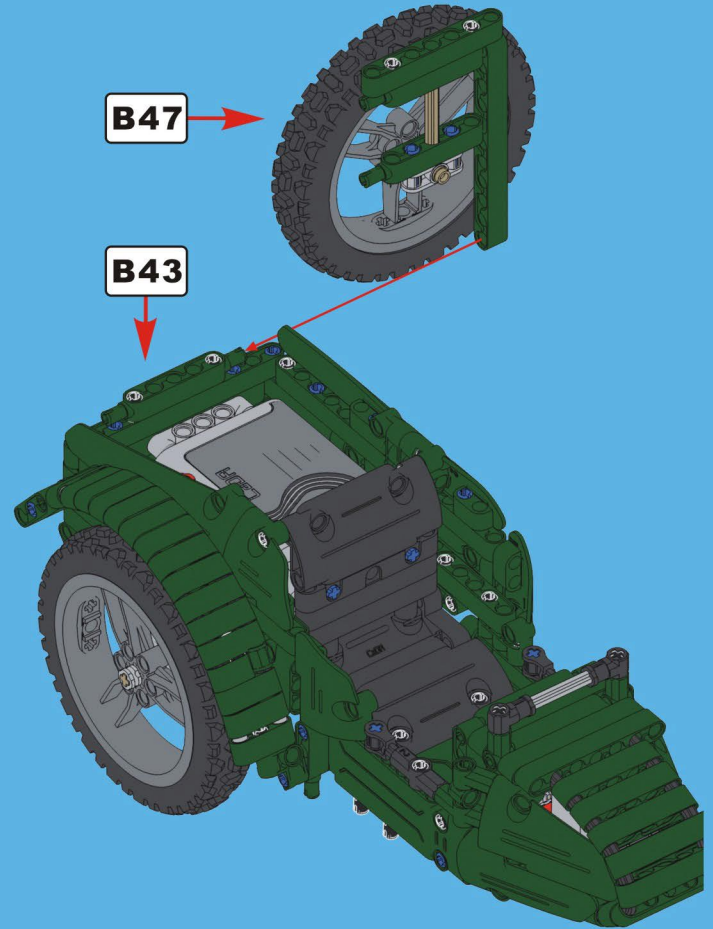
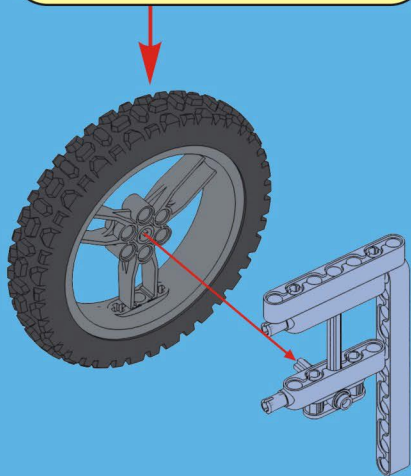
# B46

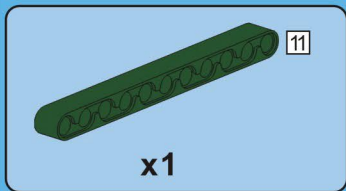


# B48

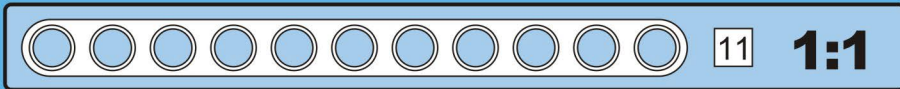
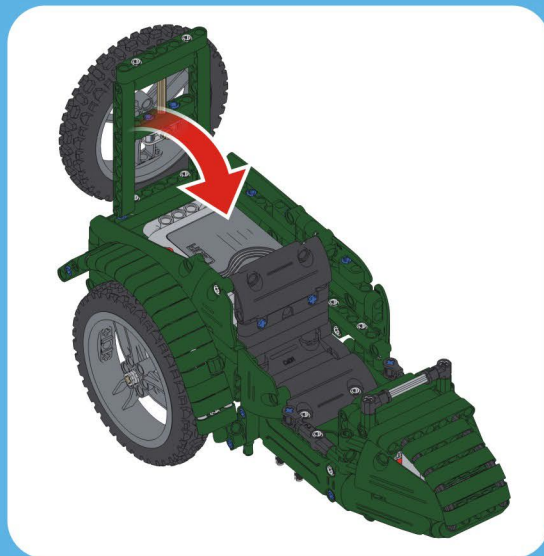
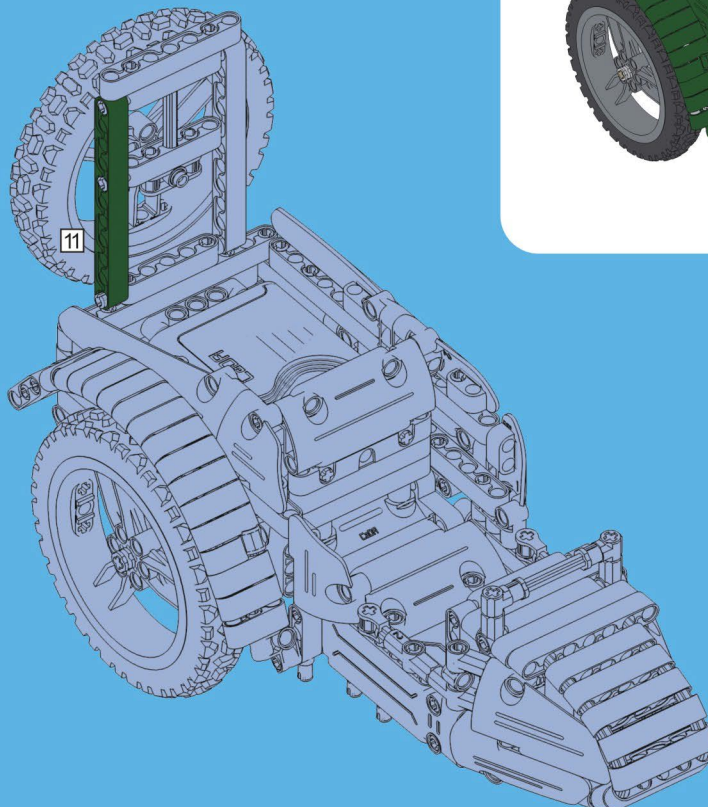


# B47



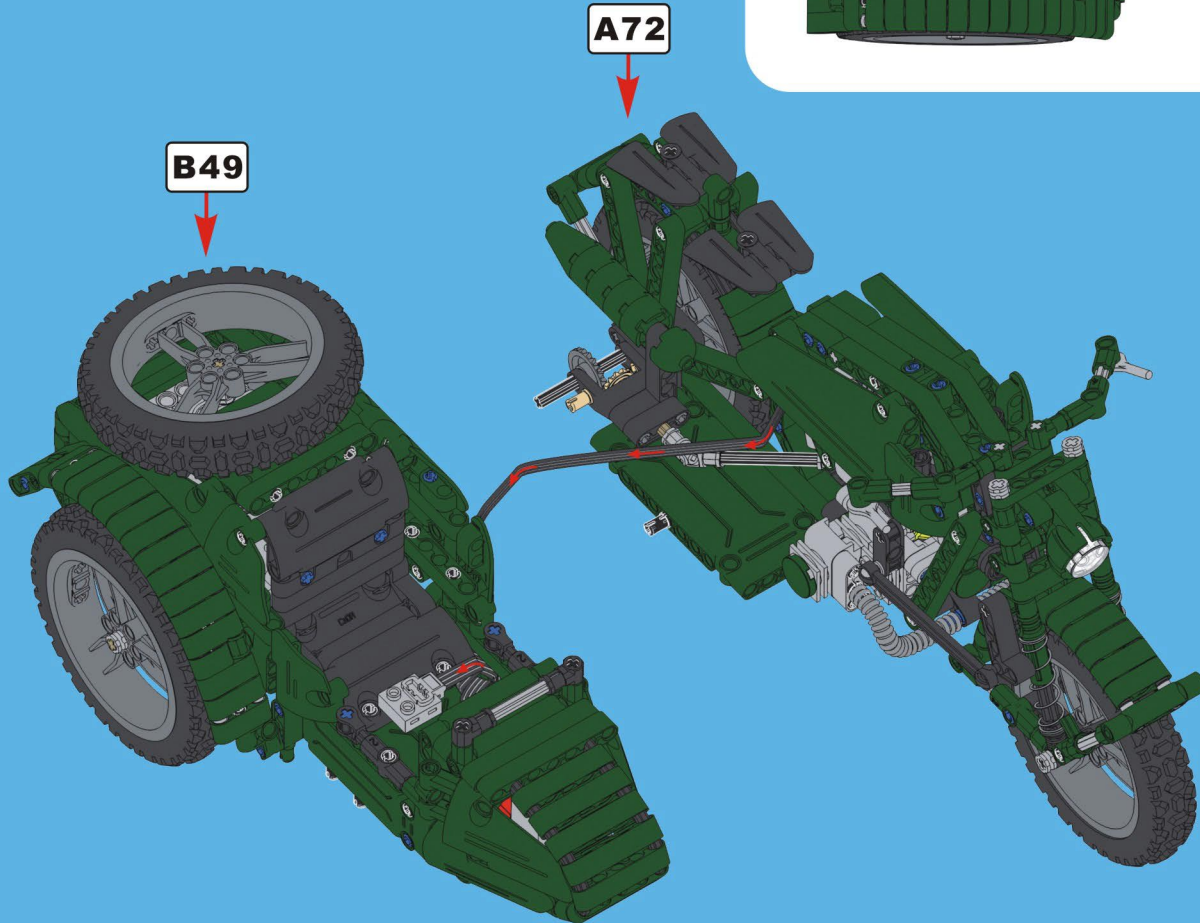
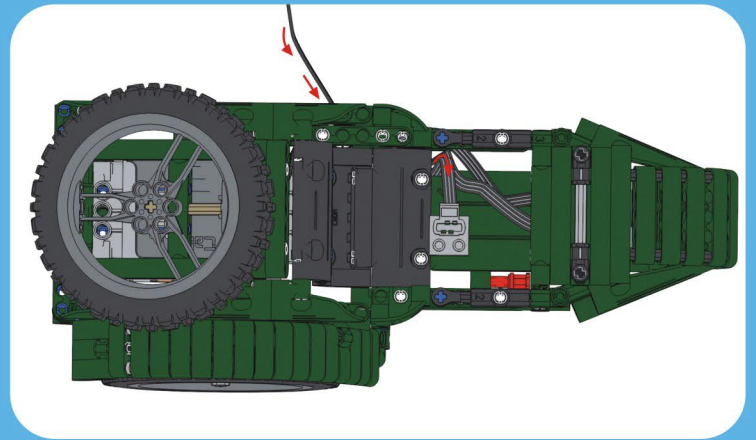


**B49**

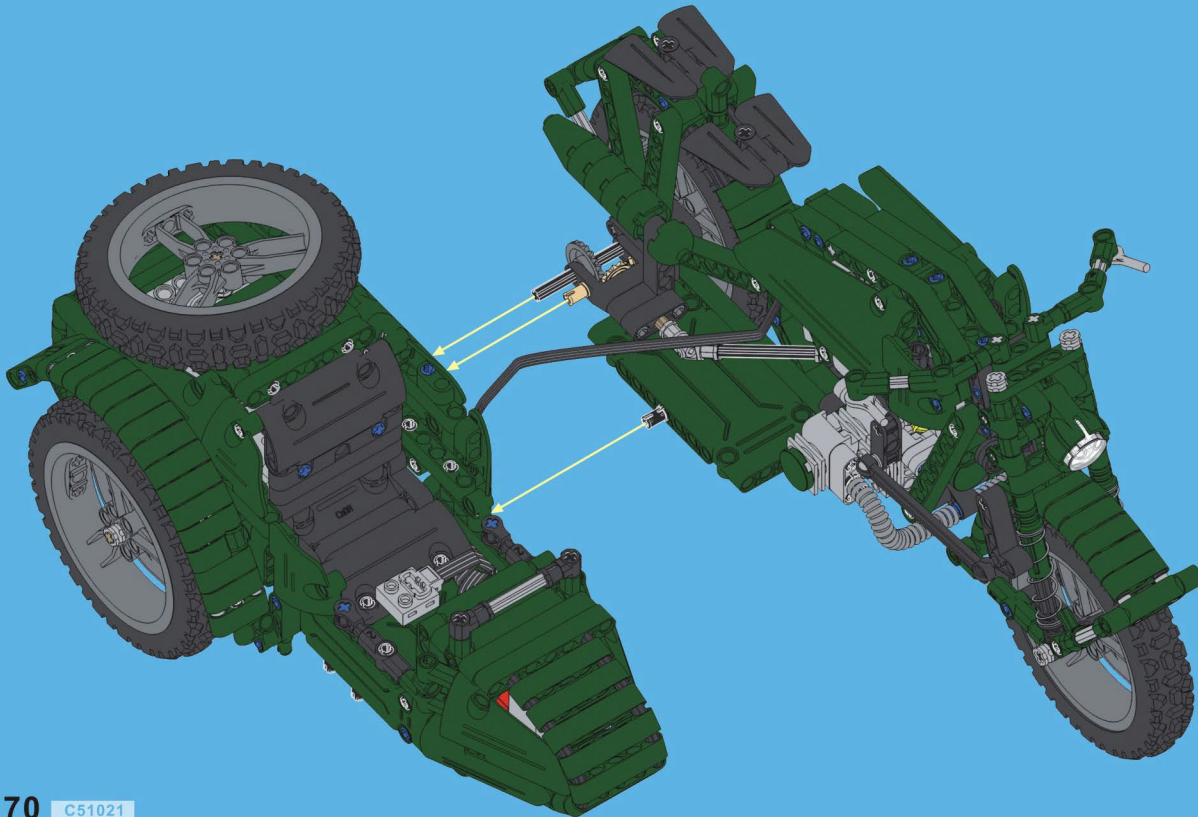
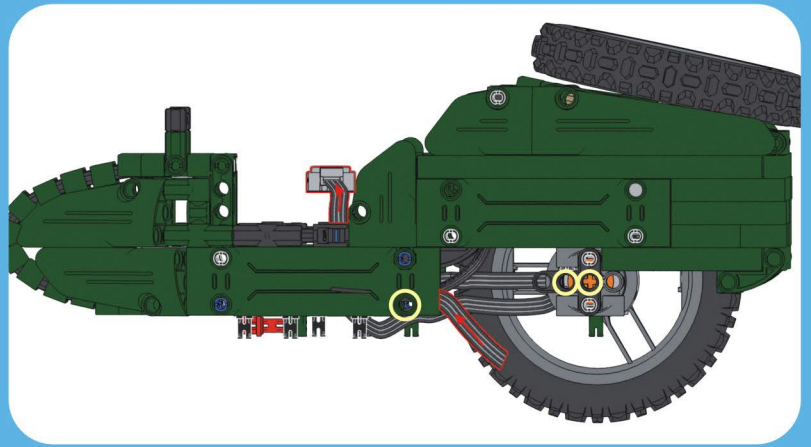


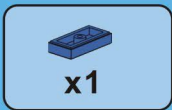


# B50

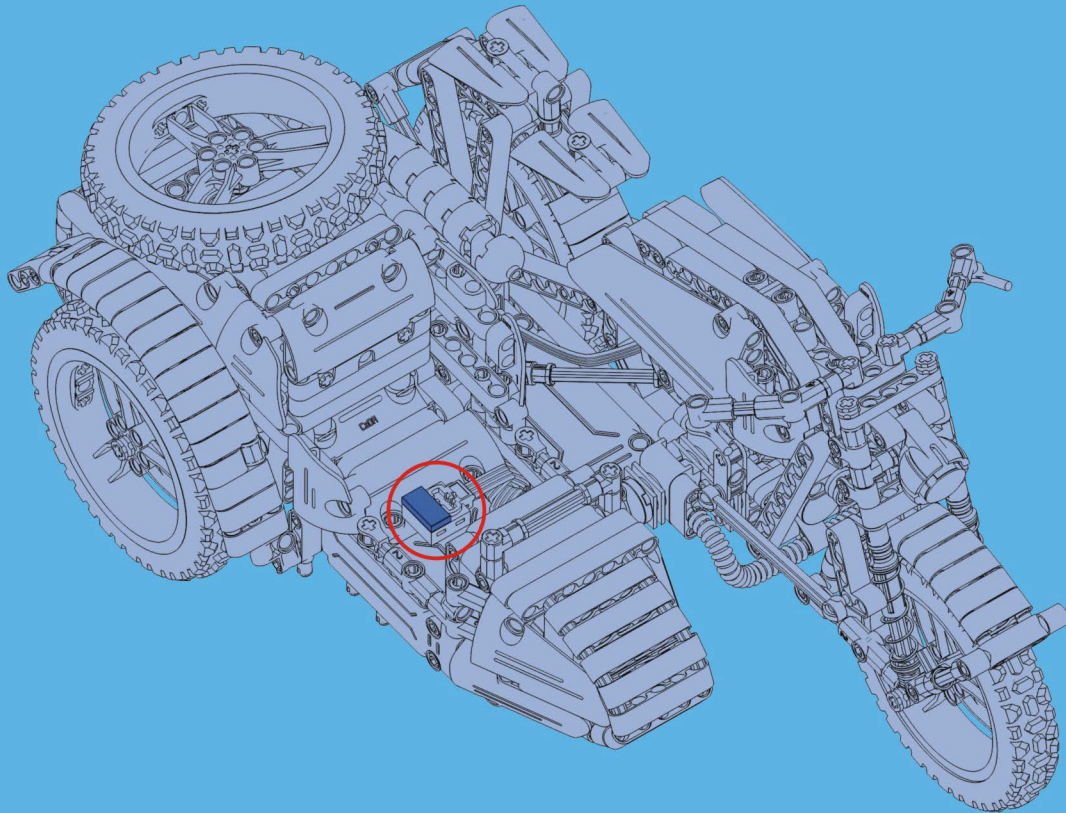


# B51

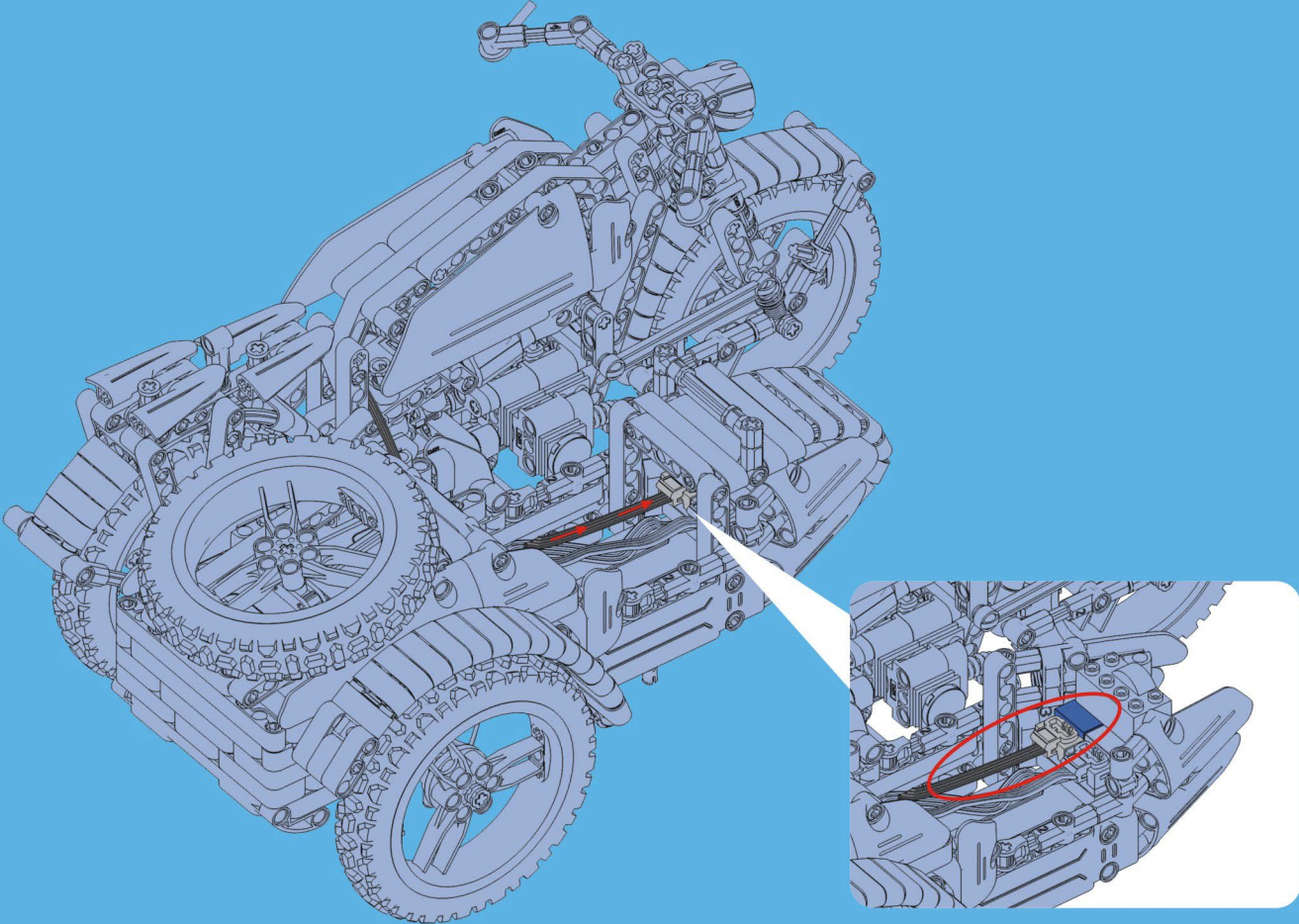


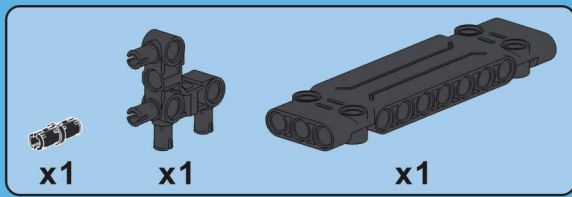


**B52**

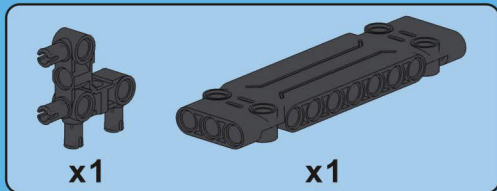
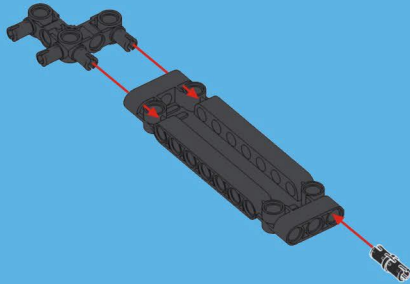


# B53

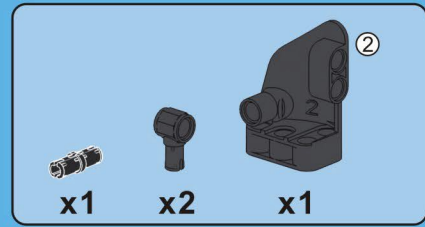
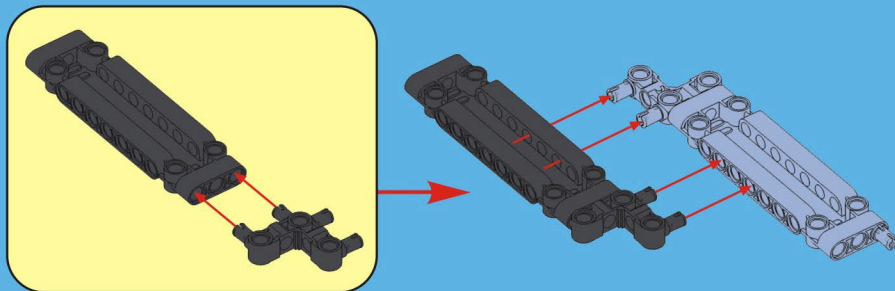




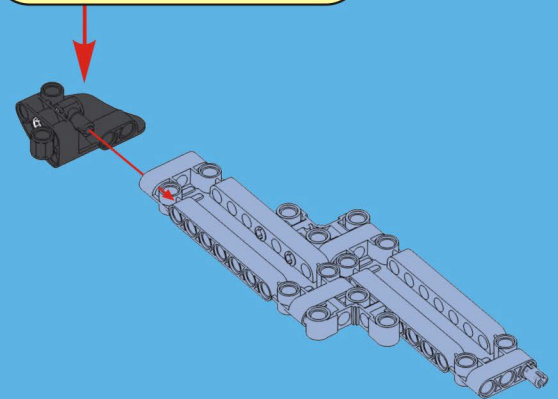
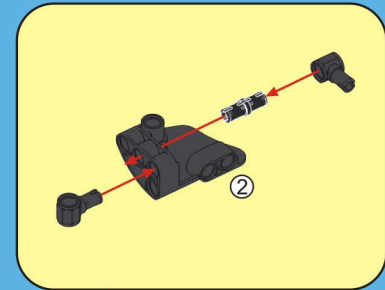
## B54



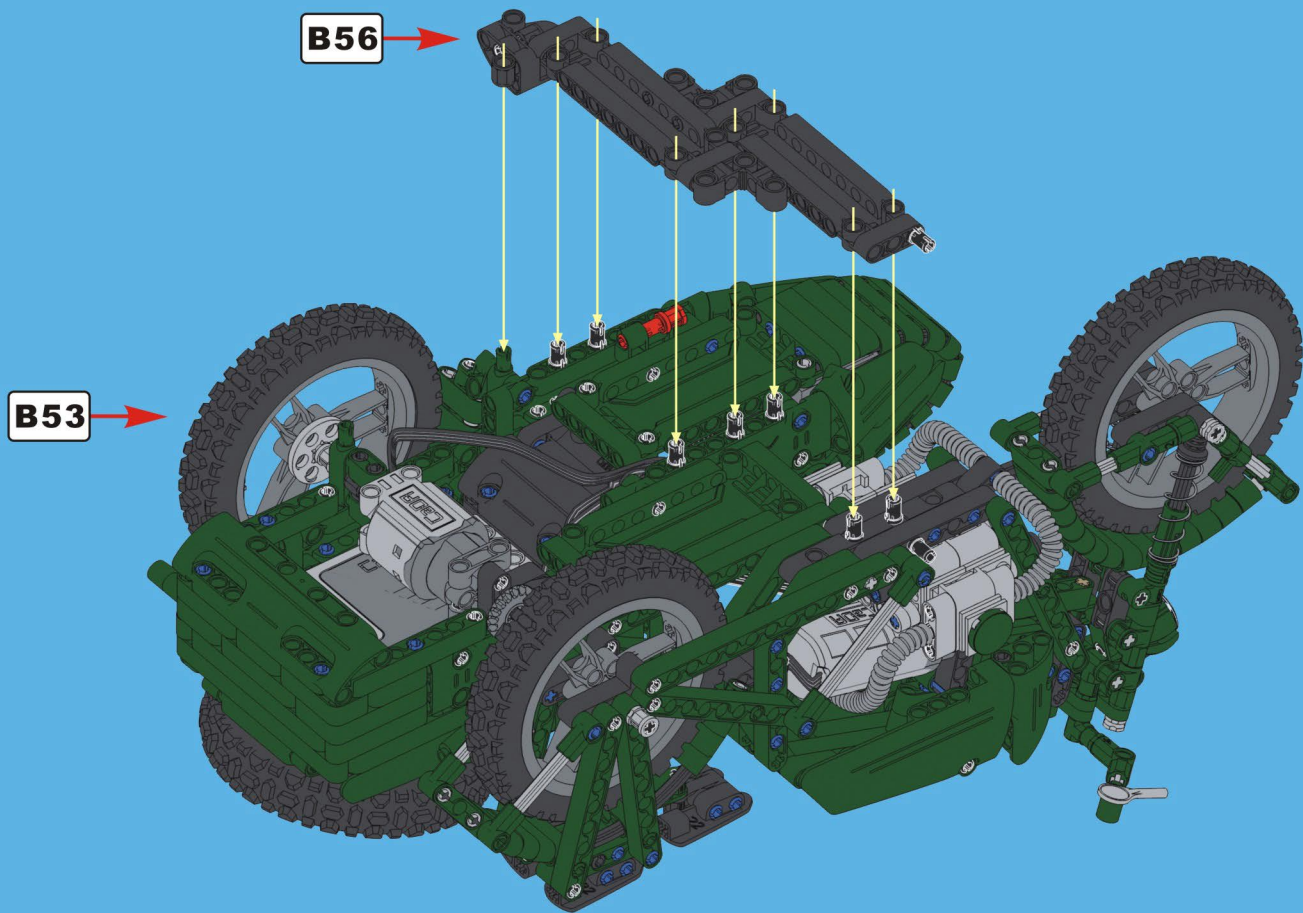
## B55

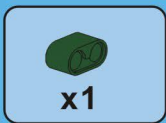


## B56

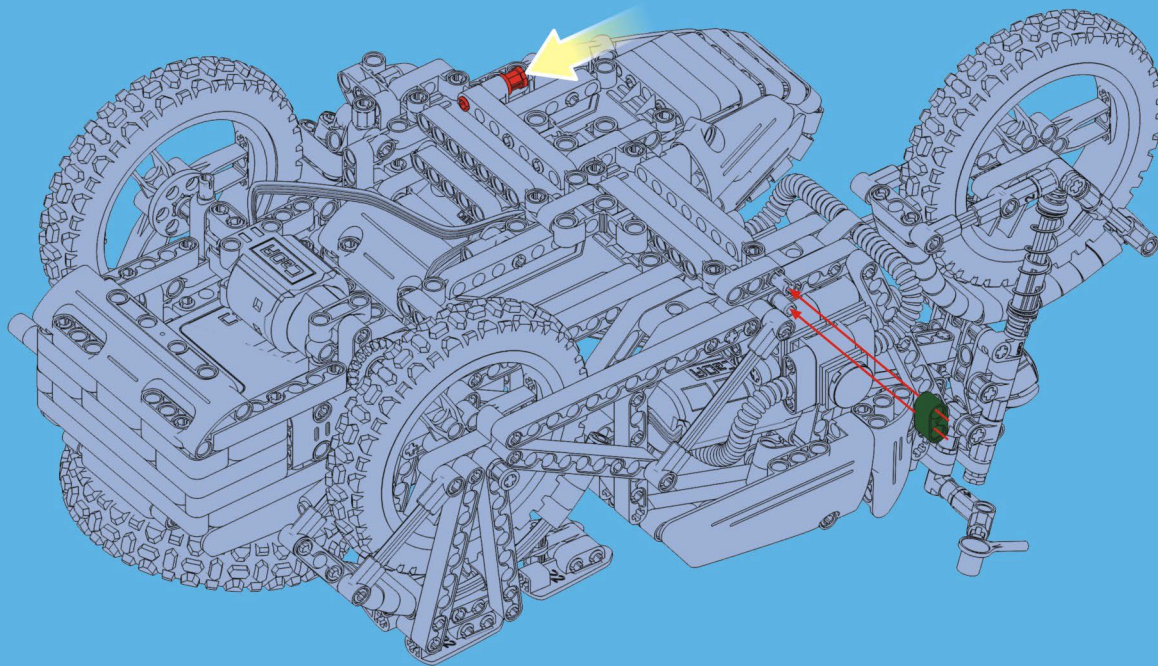


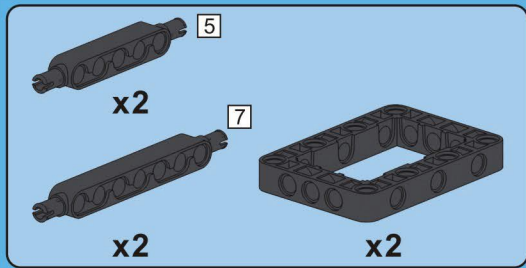
# B57



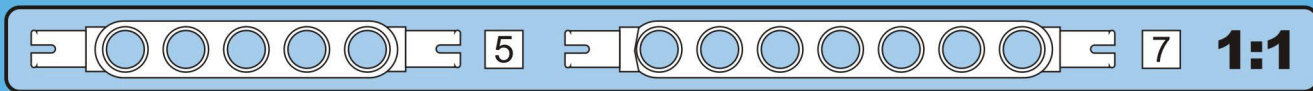
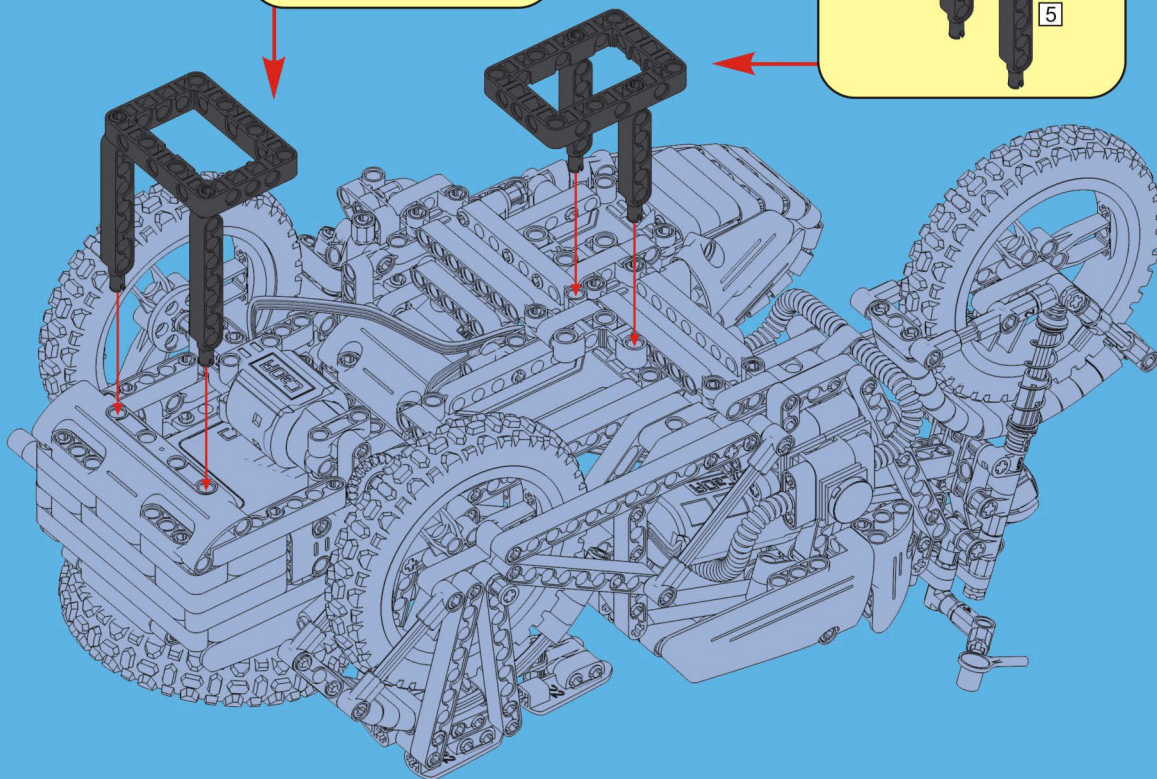
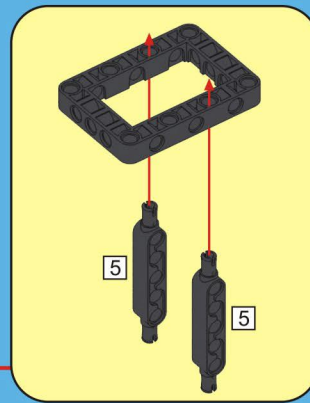
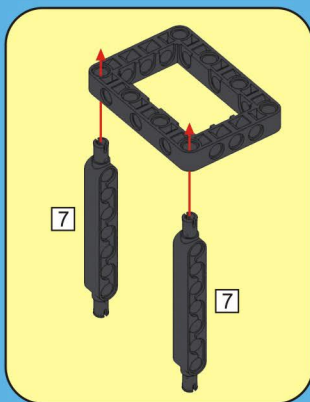


**B58**



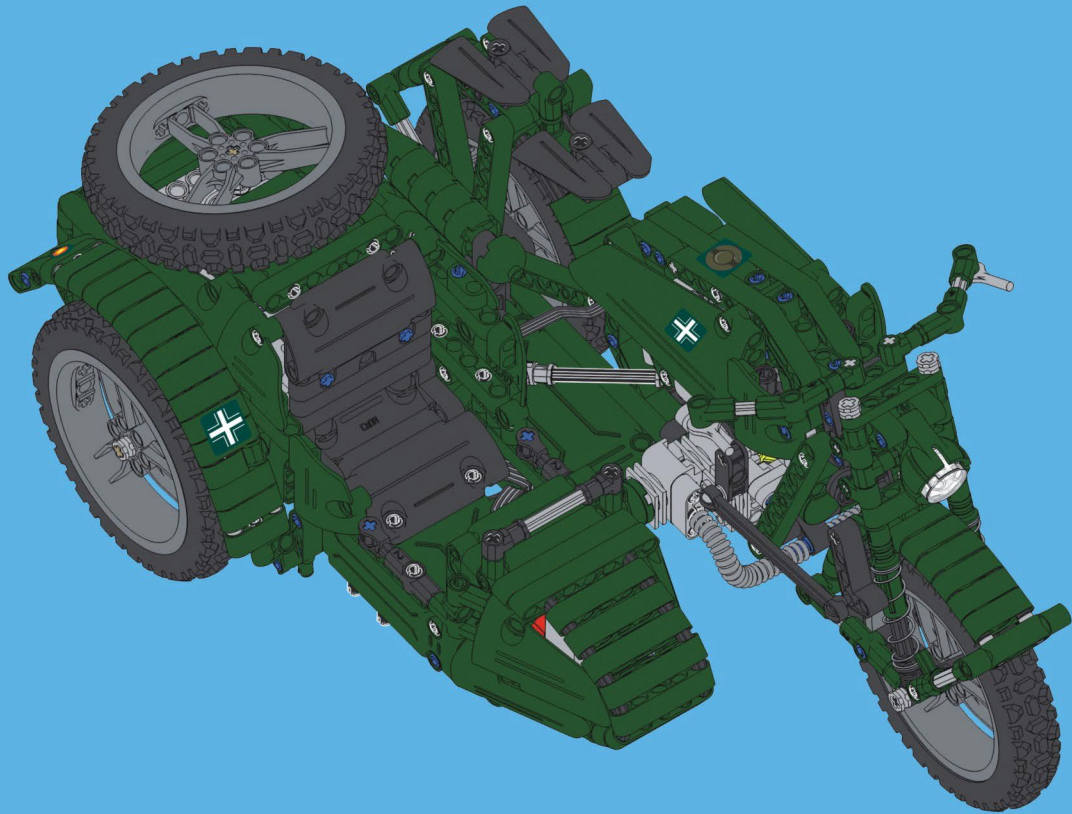


# B59

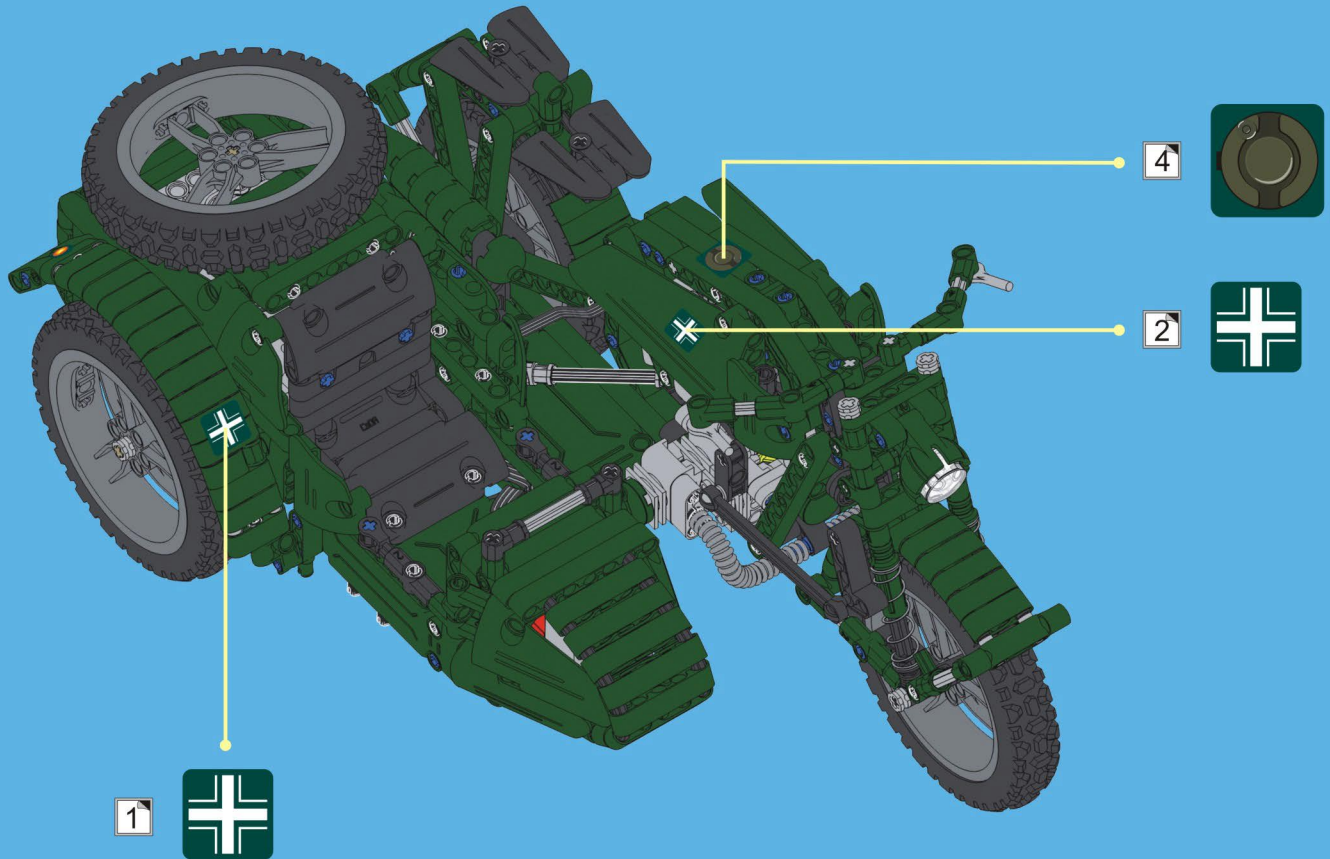




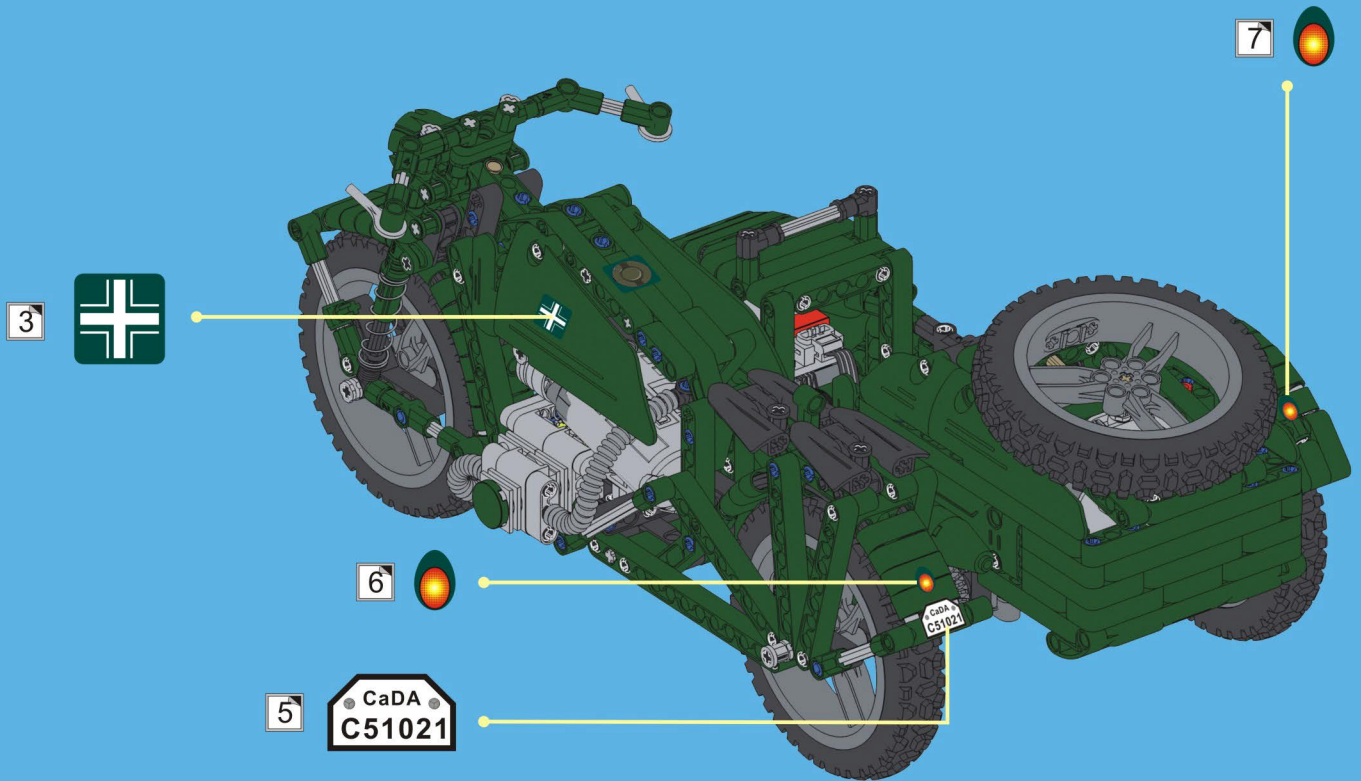
# B60

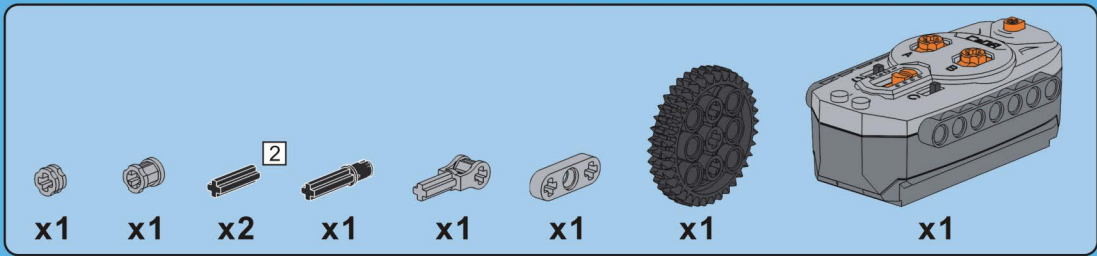


# B61

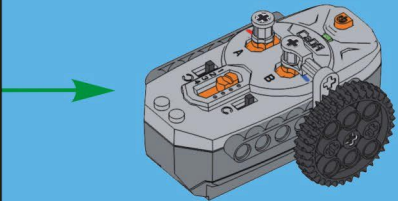
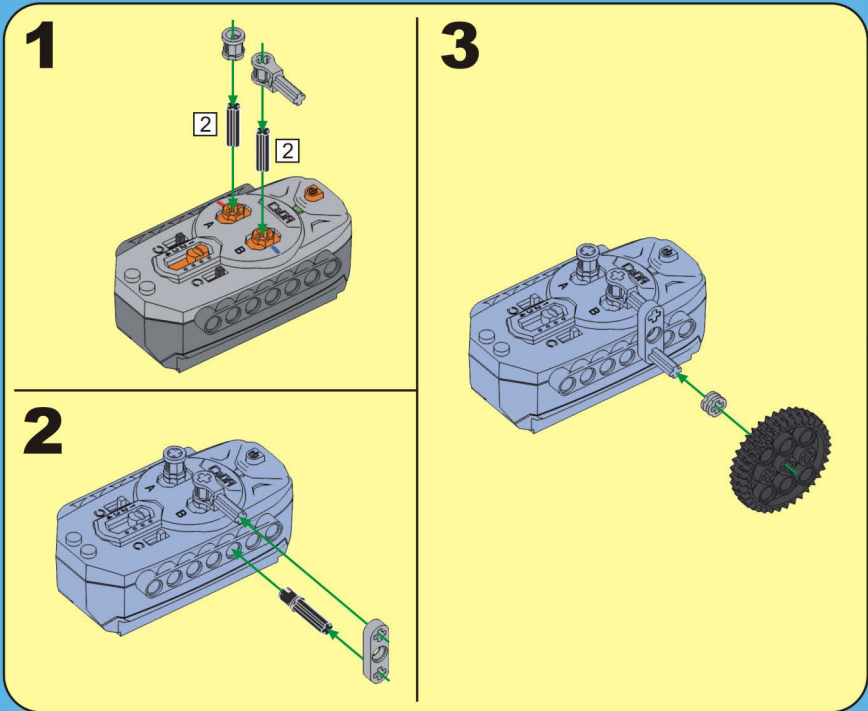


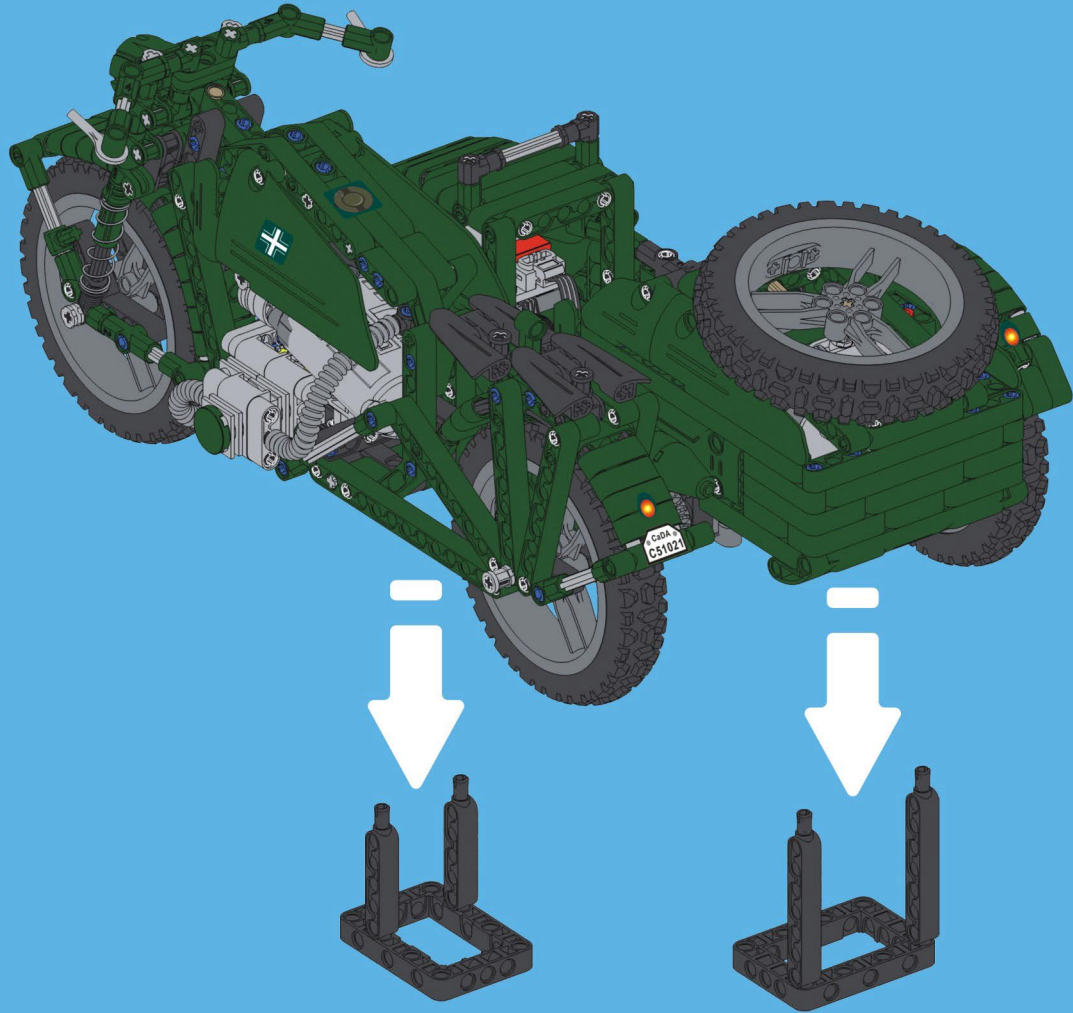
# B62

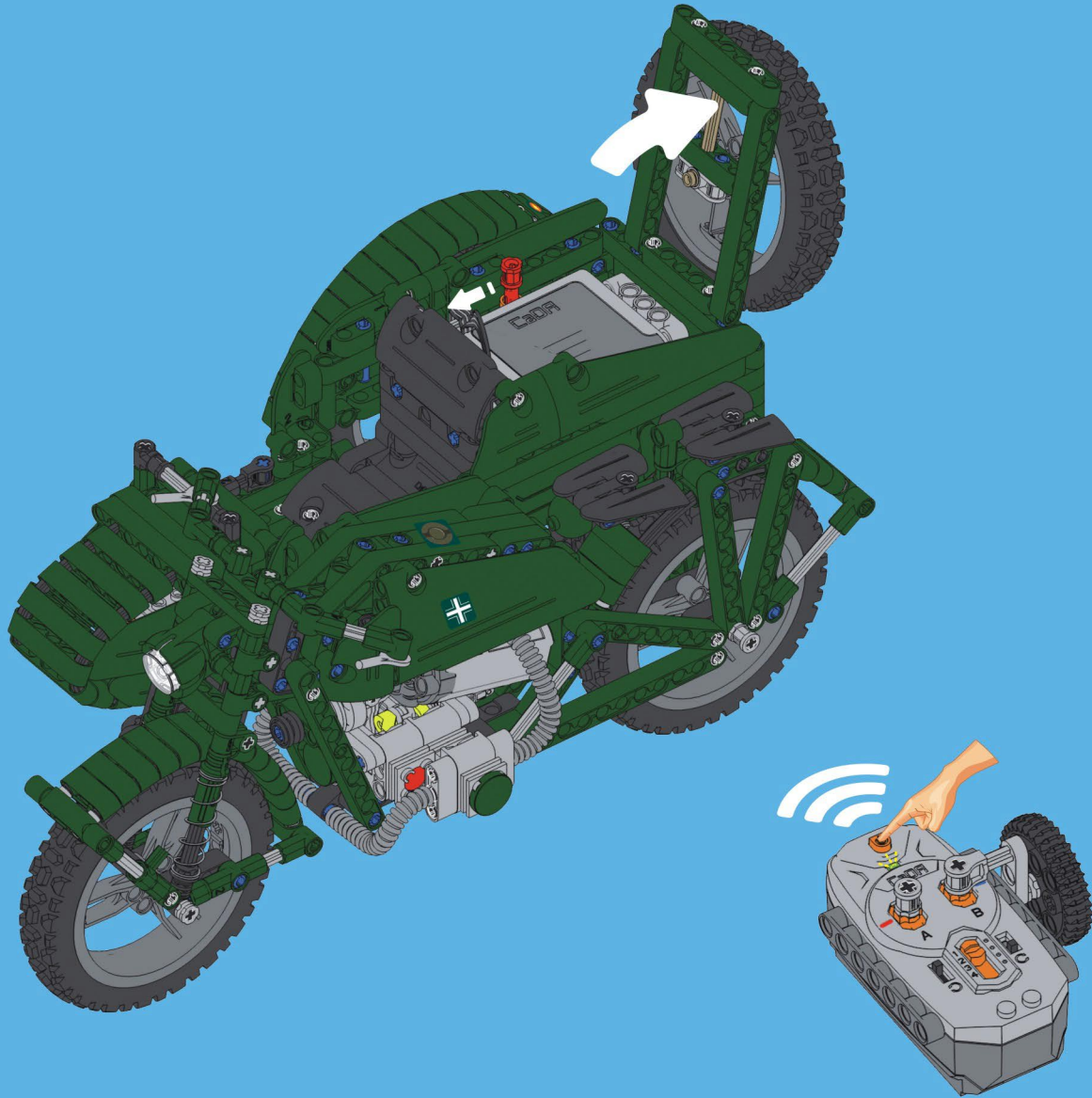


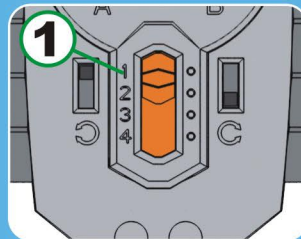
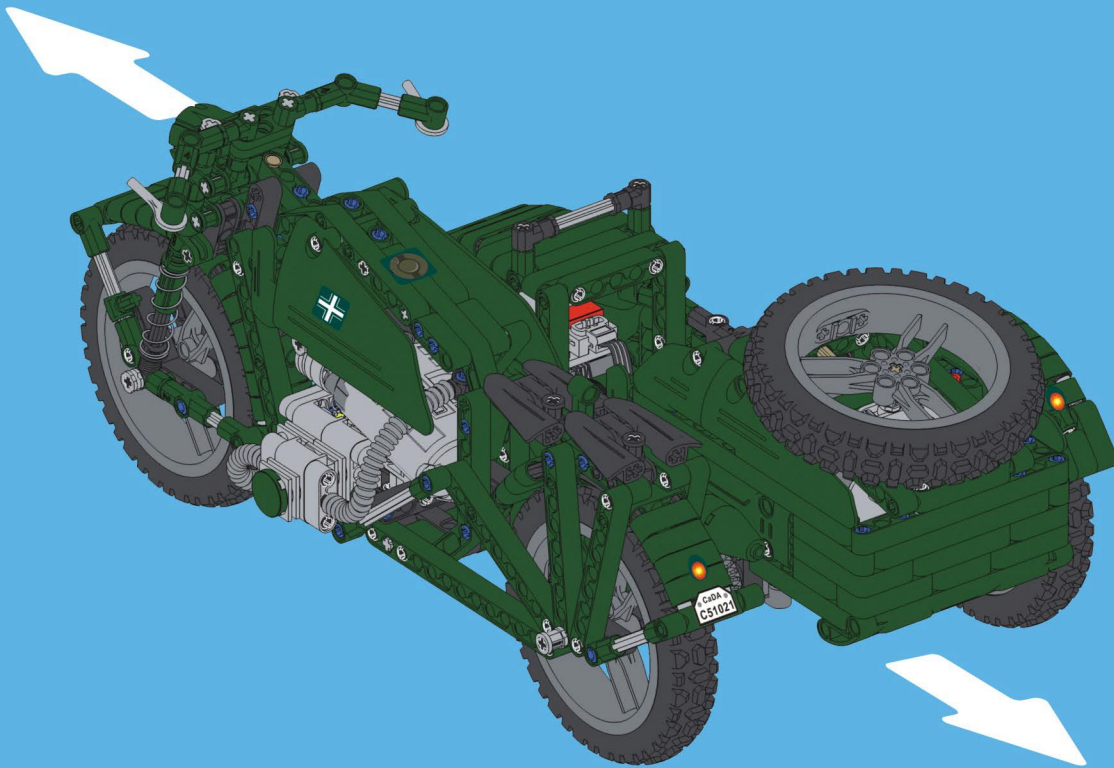


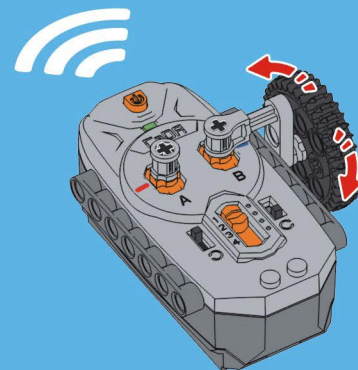
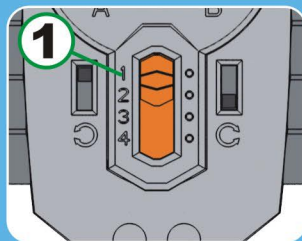
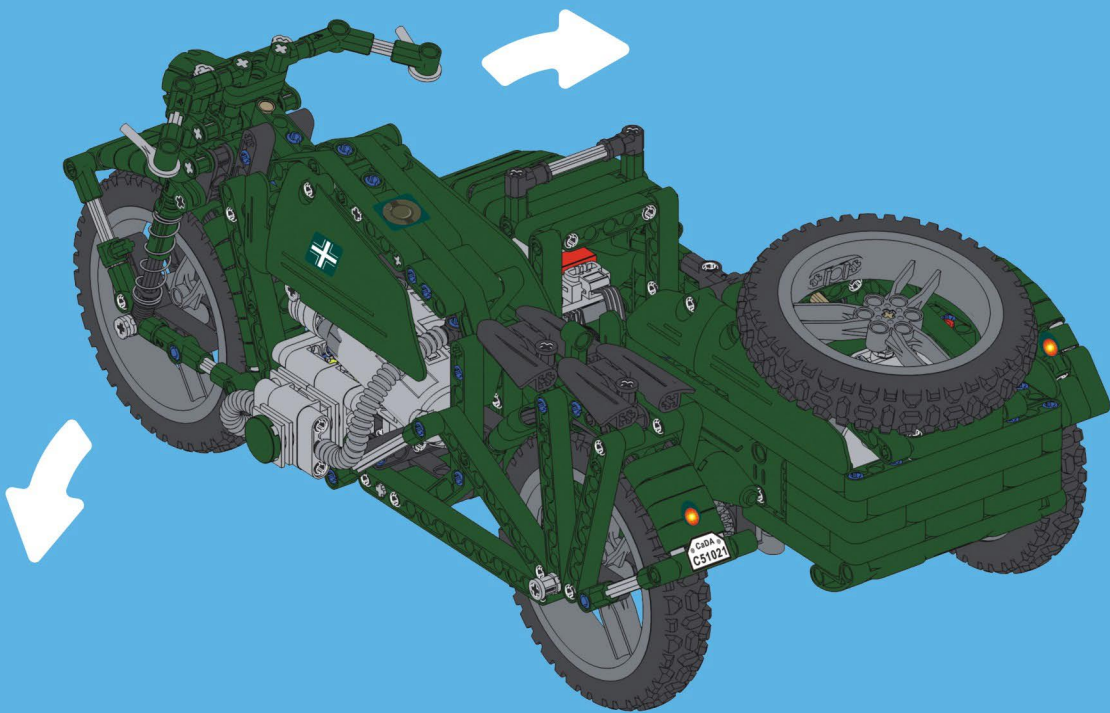
# B63



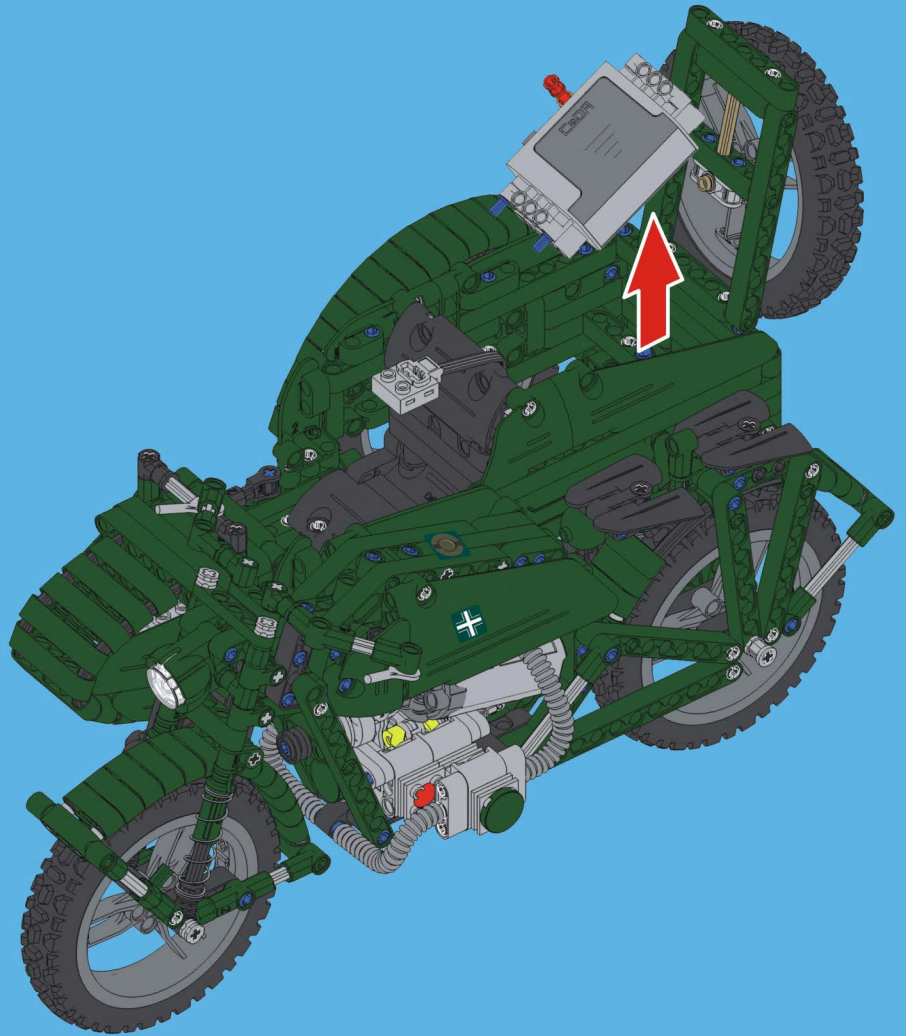
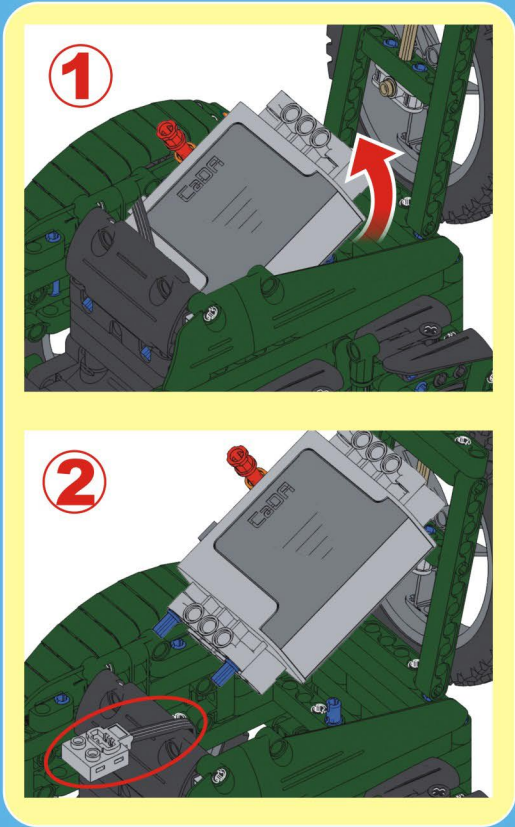












- x9  
JH1018.01
- x4  
JH1017.01
- x3  
JH2014.01
- x13  
JH2015.01
- x98  
JH2025.01
- x69  
JH2016.01
- x1  
JH4022.11
- x2  
JH4023.01
- x6  
JH4023.06
- x3  
JH4058.05
- x27  
JH5001.01
- x3  
JH5020.01
- x19  
JH5026.09
- x5  
JH5032.01
- x8  
JH5032.10
- x6  
JH5041.09
- x5  
JH5044.01
- x2  
JH5054.01
- x1  
JH5054.03
- x3  
JH5064.01
- x2  
JH5074.01
- x2  
JH6027.01
- x2  
JH6027.09
- x2  
JH6030.03
- x2  
JH6031.06
- x2  
JH6034.01
- x1  
JH6035.10
- x1  
JH6036.01
- x1  
JH6037.11
- x2  
JH6033.07
- x3  
JH6038.02
- x1  
JH6038.01
- x1  
JH6038.07
- x2  
JH6039.01
- x1  
JH6039.11
- x4  
JH6048.03
- x3  
JH6048.07
- x2  
JH6059.02
- x2  
JH8075.01
- x2  
JH9056.01
- x1  
JA3029.05
- x1  
JA3029.10
- x3  
JB1004.09
- x1  
JB1012.03
- x1  
JB2009.03
- x4  
JB2009.04
- x1  
JB3007.02
- x1  
JB4005.05
- x1  
JB4015.03
- x1  
JF3044.01
- x1  
JF3052.01
- x1  
JF4053.01
- x2  
JJ2041.01
- x1  
JJ4023.08
- x2  
JJ4025.07
- x1  
JJ4025.06
- x2  
JJ5026.06
- x4  
JJ5044.03
- x11  
JH0011.01
- x11  
JH0013.01
- x1  
JH5045.01
- x8  
JH0004.01
- x4  
JH0047.01
- x4  
JH0006.01
- x3  
JH0007.01
- x1  
JH0009.01
- x1  
JH0012.01
- x1  
JJ6003.03
- x5  
JJ6003.12
- x1  
JJ6004.01
- x39  
JJ6004.11
- x3  
JJ6004.05
- x1  
JJ6005.01
- x20  
JJ6005.11
- x4  
JJ6006.01
- x10  
JJ6006.11
- x8  
JJ6007.12
- x5  
JJ6008.10
- x2  
JJ6009.09
- x2  
JJ6010.10
- x2  
JJ6032.08
- x1  
JJ6033.09
- x1  
JJ6033.01
- x2  
JJ6034.07
- x8  
JJ6035.09
- x5  
JJ6036.07
- x11  
JH0011.01
- x11  
JH0013.01
- x1  
JH5045.01
- x8  
JH0004.01
- x4  
JH0047.01
- x4  
JH0006.01
- x3  
JH0007.01
- x1  
JH0009.01
- x1  
JH0012.01
- x1  
JJ6003.03
- x5  
JJ6003.12
- x1  
JJ6004.01
- x39  
JJ6004.11
- x3  
JJ6004.05
- x1  
JJ6005.01
- x20  
JJ6005.11
- x4  
JJ6006.01
- x10  
JJ6006.11
- x8  
JJ6007.12
- x5  
JJ6008.10
- x2  
JJ6009.09
- x2  
JJ6010.10
- x2  
JJ6032.08
- x1  
JJ6033.09
- x1  
JJ6033.01
- x2  
JJ6034.07
- x8  
JJ6035.09
- x5  
JJ6036.07

- x2 JJ6036.03 **5**
- x2 JJ6037.01 **7**
- x1 JJ6038.07
- x1 JJ6038.04
- x1 JJ6039.04
- x7 JJ7011.02
- x2 JJ7011.10
- x1 JJ7012.02
- x4 JJ7012.10
- x2 JJ7013.02
- x5 JJ7016.09

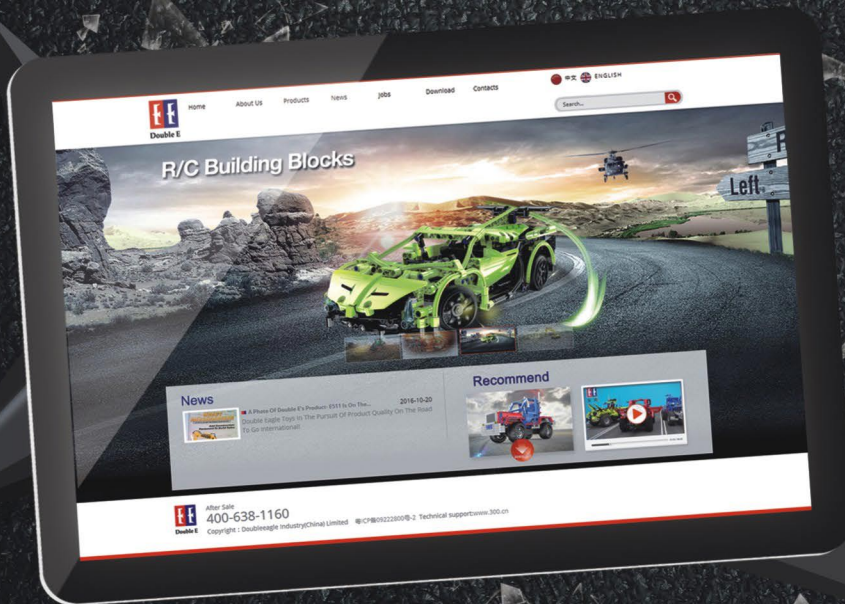
- x2 JJ7017.01
- x2 JK9002.01
- x3 JM0017.01
- x1 JM0018.01
- x1 JM0035.01
- x1 JM3009.01
- x1 JM4003.01
- x1 JM4024.02
- x1 JM8032.03
- x6 JX4052.01
- x4 JX4053.01
- x4 JX4057.01
- x1 JX4058.01

- x2 JX4035.08 **21**
- x2 JX4035.07 **22**
- x3 JX4045.16 **2**
- x3 JX4045.15 **1**
- x1 JX4045.02 **2**
- x2 JX4033.22 **4**
- x2 JX4033.21 **3**
- x1 JX4034.14 **6**
- x1 JX4034.13 **5**
- x1 JX4032.16 **18**
- x1 JX4032.15 **17**

- x2 JT1001.05
- x1 JT1001.07
- x8 JR3009.01
- x3 JX4054.01
- x4 JX4039.08
- x2 JX4039.07
- x1 JX4040.10
- x2 JX4038.07
- x1 JX4038.07
- x1 JX4038.07

- x1 JV4009.03
- x1 JV5006.02
- x1 JV1005.02
- x1 JV8008.02
- x4 JM3036.01
- x4 JM3036.01
- x4 JM3036.01

# CaDA



C51021



C51022



C51023

[www.doubleeagle.cc](http://www.doubleeagle.cc)

